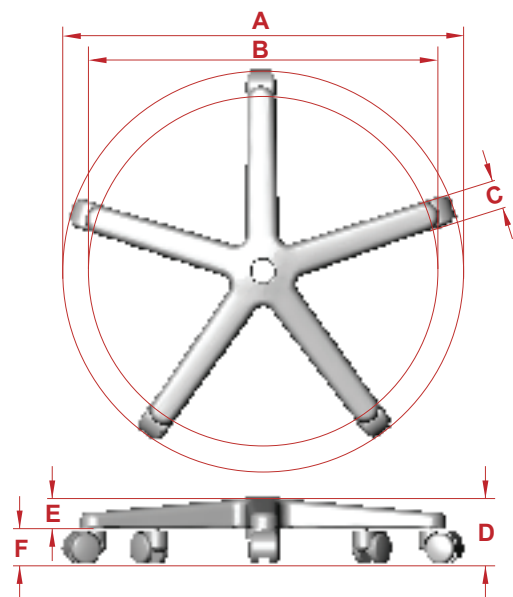


Northfield Composite Bases



Ambassador Base



Dimensions

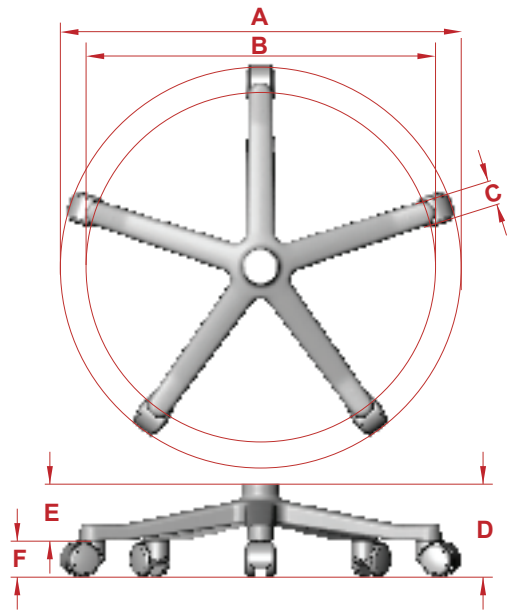
25" Base		
	INCHES	mm
A	29 3/8"	746 mm
B	25 1/8"	635 mm
C	2 1/8"	54 mm
D	4 11/16"	119 mm
E	2 1/8"	54 mm
F	2 15/32"	62 mm

Specifications

Size:
25"

Center Bore Diameters:
45mm/Inside Taper: 2°-35'
50mm/Inside Taper: 1°-26'-16"

Contessa Base



Dimensions

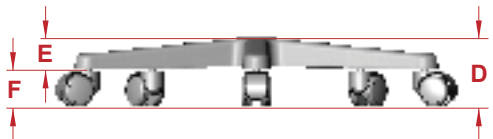
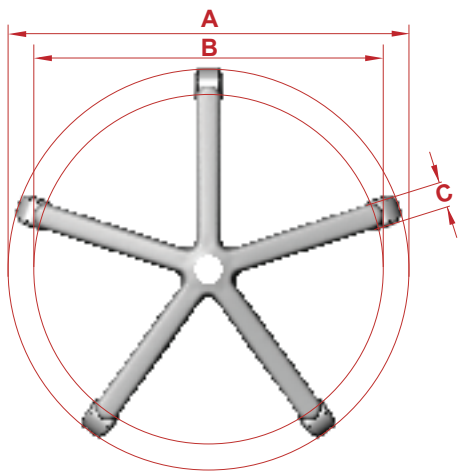
24" Base		
	INCHES	mm
A	27 3/4"	705 mm
B	24"	610 mm
C	1 3/4"	44 mm
D	6 1/4"	159 mm
E	3 3/4"	95 mm
F	2 15/32"	68 mm

Specifications

Size:
24"

Center Bore Diameters:
50mm/Inside Taper: 1°-26'-16"

Countess Base



Dimensions

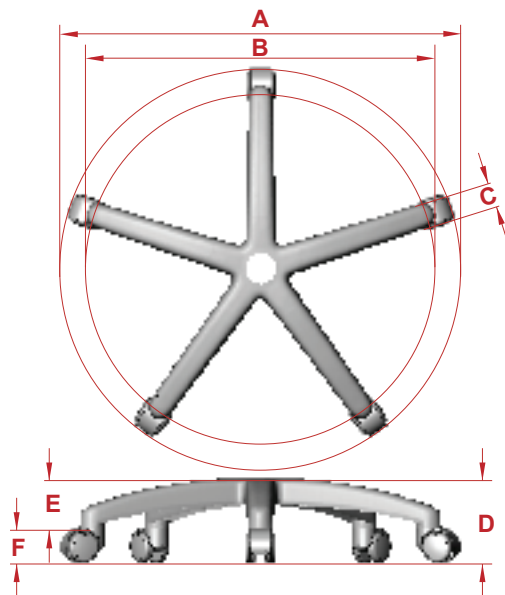
24" Base		
	INCHES	mm
A	27 3/4"	705 mm
B	24"	610 mm
C	1 3/4"	44 mm
D	5 3/16"	132 mm
E	2 5/8"	67 mm
F	2 15/32"	68 mm

Specifications

Size:
24"

Center Bore Diameters:
50mm/Inside Taper: 1°-26'-16"

Empress Base



Dimensions

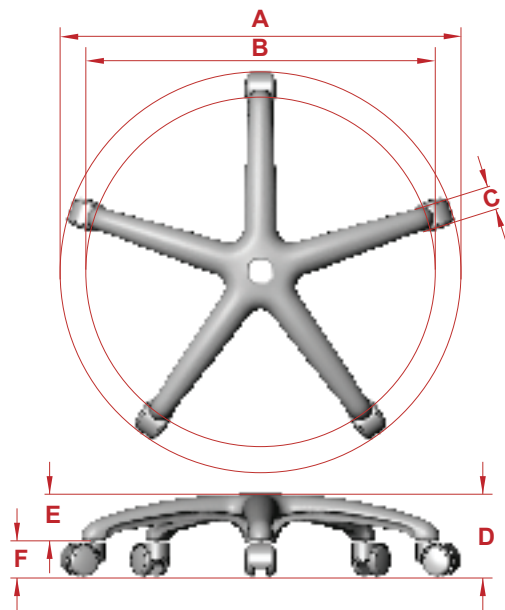
	25" Base	
	INCHES	mm
A	29 3/8"	746 mm
B	25"	635 mm
C	1 3/4"	44 mm
D	5 13/16"	148 mm
E	3 1/2"	89 mm
F	2 3/8"	60 mm

Specifications

Size:
25"

Center Bore Diameters:
50mm/Inside Taper: 1°-26'-16"

Markham Base



Dimensions

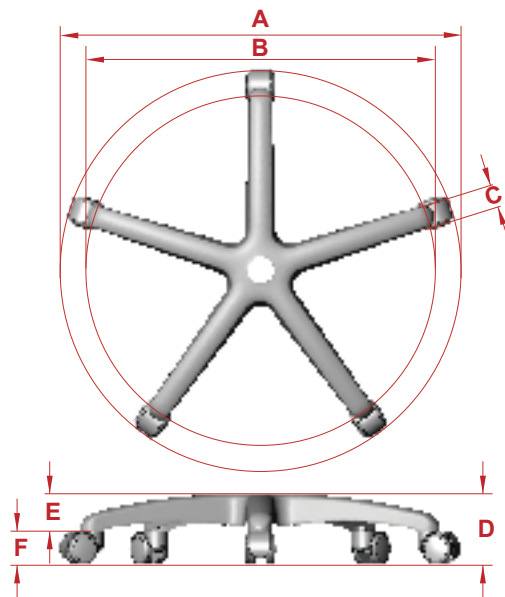
	23" Base		25" Base	
	INCHES	mm	INCHES	mm
A	27 7/16"	697 mm	29 7/16"	748 mm
B	23"	584 mm	25"	635 mm
C	1 3/4"	45 mm	1 3/4"	45 mm
D	5 11/16"	145 mm	5 25/32"	147 mm
E	3 7/32"	82 mm	3 5/16"	84 mm
F	2 15/32"	63 mm	2 15/32"	63 mm

Specifications

Sizes:
23"/25"

Center Bore Diameters:
50mm/Inside Taper: 1°-26'-16"

Marquis Base



Dimensions

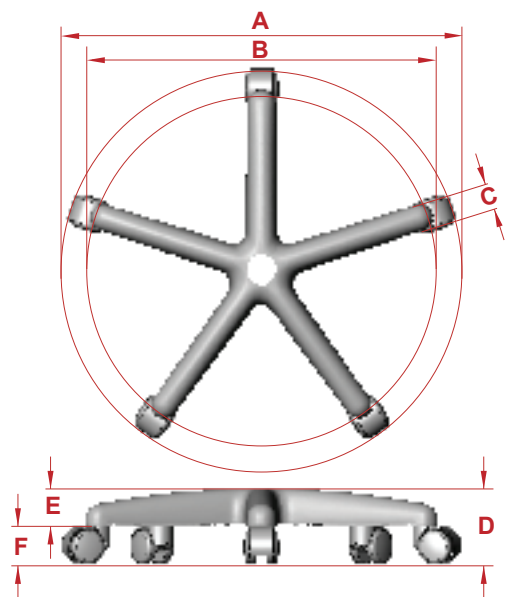
	24" Base		26" Base		27" Base	
	INCHES	mm	INCHES	mm	INCHES	mm
A	27 3/4"	705 mm	29 7/16"	748 mm	31 7/16"	799 mm
B	24"	610 mm	25 1/2"	648 mm	27"	686 mm
C	1 3/4"	44 mm	1 3/4"	44 mm	1 3/4"	44 mm
D	5 3/32"	129 mm	5 3/32"	129 mm	5 19/32"	142 mm
E	2 5/8"	67 mm	2 5/8"	67 mm	3 1/8"	79 mm
F	2 15/32"	63 mm	2 15/32"	63 mm	2 15/32"	63 mm

Specifications

Sizes:
24"/26"/27"

Center Bore Diameters:
50mm/Inside Taper: 1°-26'-16"

Milano Base



Dimensions

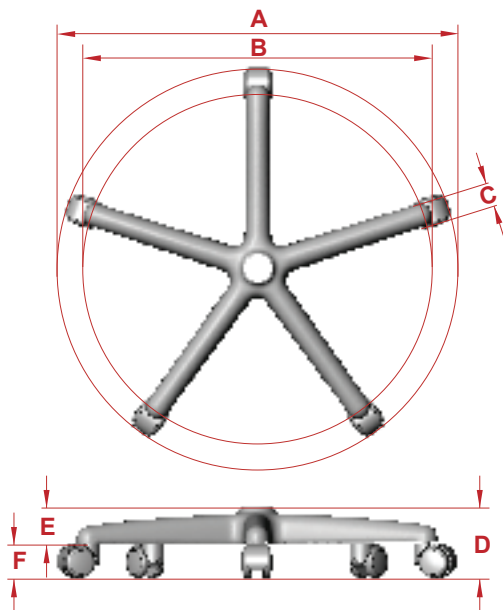
	20" Base		22" Base		24" Base	
	INCHES	mm	INCHES	mm	INCHES	mm
A	23 3/4"	603 mm	25 3/4"	654 mm	27 3/4"	705 mm
B	20"	508 mm	22"	558 mm	24"	610 mm
C	1 3/4"	44 mm	1 3/4"	44 mm	1 3/4"	44 mm
D	4 27/32"	123 mm	4 27/32"	123 mm	4 27/32"	123 mm
E	2 3/8"	60 mm	2 3/8"	60 mm	2 3/8"	60 mm
F	2 15/32"	63 mm	2 15/32"	63 mm	2 15/32"	63 mm

Specifications

Sizes:
20"/22"/24"

Center Bore Diameters:
45mm/Inside Taper: 2°-35'
50mm/Inside Taper: 1°-26'-16"

Princess Base



Dimensions

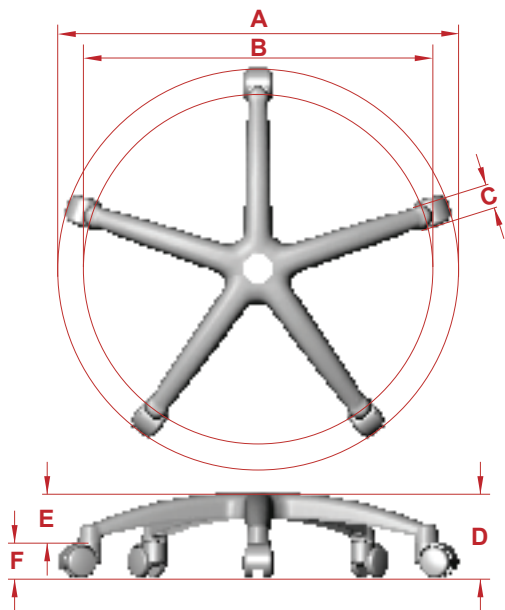
	22" Base		24" Base		26" Base	
	INCHES	mm	INCHES	mm	INCHES	mm
A	25 3/4"	654 mm	27 3/4"	705 mm	29 7/16"	748 mm
B	22"	559 mm	24"	610 mm	25 1/2"	648 mm
C	1 3/4"	44 mm	1 3/4"	44 mm	1 3/4"	44 mm
D	5 1/16"	129 mm	5 1/16"	129 mm	5 1/16"	129 mm
E	2 19/32"	66 mm	2 19/32"	66 mm	2 19/32"	66 mm
F	2 15/32"	68 mm	2 15/32"	68 mm	2 15/32"	68 mm

Specifications

Sizes:
22"/24"/26"

Center Bore Diameters:
45mm/Inside Taper: 2°-35'
50mm/Inside Taper: 1°-26'-16"

Regal Base



Dimensions

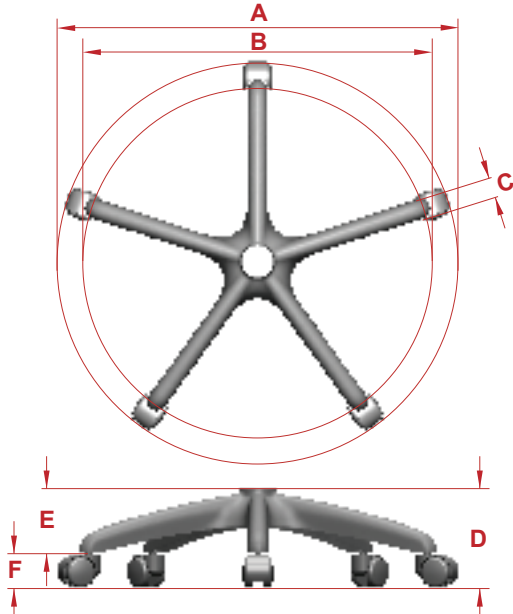
	25" Base	
	INCHES	mm
A	29"	737 mm
B	25"	635 mm
C	1 3/4"	44 mm
D	5 7/8"	149 mm
E	3 1/2"	89 mm
F	2 3/8"	60 mm

Specifications

Size:
25"

Center Bore Diameters:
45mm/Inside Taper: 2°-35'
50mm/Inside Taper: 1°-26'-16"

Stability Base



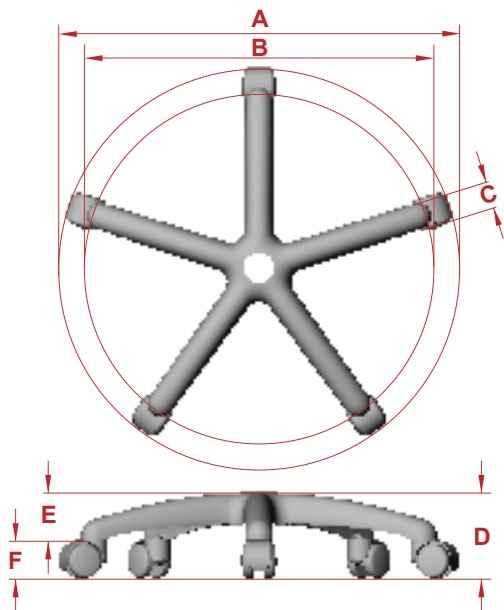
Dimensions

26" Base		
	INCHES	mm
A	30 1/32"	771 mm
B	26"	660 mm
C	1 1/2"	38 mm
D	7 1/3"	186 mm
E	4 29/32"	124 mm
F	2 13/32"	61 mm

Specifications

Size:
26"
Center Bore Diameters:
50mm/Inside Taper: 1°-26'-16"

Torino Base



Dimensions

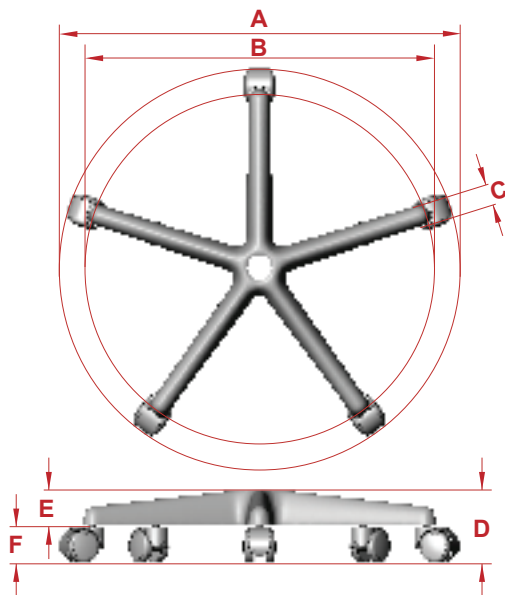
	22" Base		24" Base		26" Base	
	INCHES	mm	INCHES	mm	INCHES	mm
A	26 7/16"	672 mm	28 7/16"	723 mm	30 7/16"	773 mm
B	22"	559 mm	24"	610 mm	26"	660 mm
C	1 3/4"	45 mm	1 3/4"	45 mm	1 3/4"	45 mm
D	5 17/32"	141 mm	5 19/32"	142 mm	5 21/32"	144 mm
E	3 1/16"	78 mm	3 1/8"	79 mm	3 3/16"	81 mm
F	2 15/32"	63 mm	2 15/32"	63 mm	2 15/32"	63 mm

Specifications

Sizes:
22"/24"/26"

Center Bore Diameters:
45mm/Inside Taper: 2°-35'
50mm/Inside Taper: 1°-26'-16"

Viscount Base



Dimensions

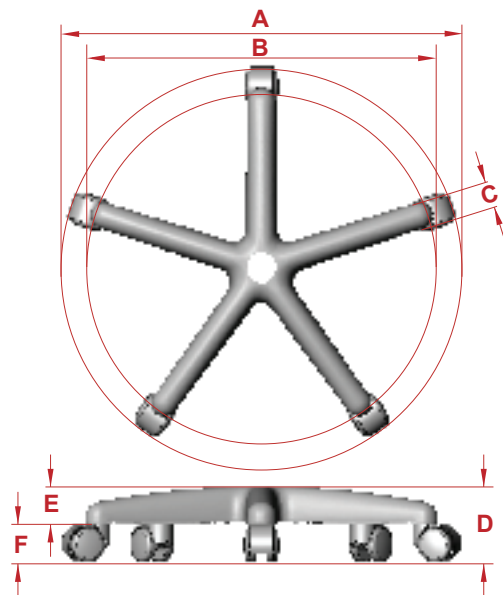
	22" Base		24" Base	
	INCHES	mm	INCHES	mm
A	25 3/4"	654 mm	27 3/4"	705 mm
B	22"	559 mm	24"	610 mm
C	1 1/2"	38 mm	1 1/2"	38 mm
D	5"	127 mm	5"	127 mm
E	2 1/2"	64 mm	2 1/2"	64 mm
F	2 15/32"	68 mm	2 15/32"	68 mm

Specifications

Sizes:
22"/24"

Center Bore Diameters:
45mm/Inside Taper: 2°-35'
50mm/Inside Taper: 1°-26'-16"

D160 Base



Dimensions

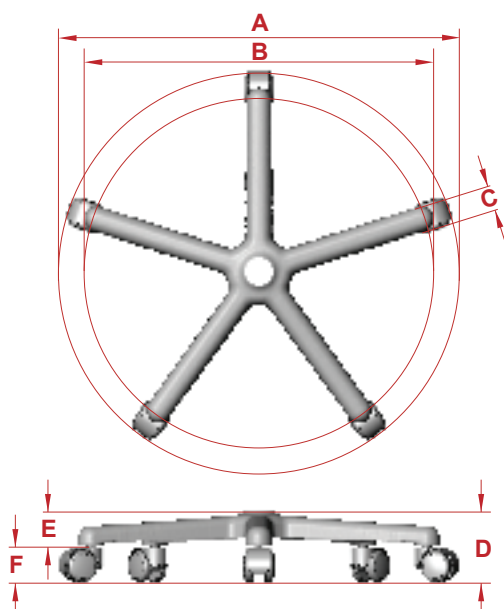
	23" Base		25" Base	
	INCHES	mm	INCHES	mm
A	27 3/10"	694 mm	29 3/10"	745 mm
B	23"	585 mm	25"	635 mm
C	1 1/2"	39 mm	1 1/2"	39 mm
D	4 9/10"	125 mm	4 9/10"	125 mm
E	2 1/2"	64 mm	2 1/2"	64 mm
F	2 2/5"	61 mm	2 2/5"	61 mm

Specifications

Sizes:
23"/25"

Center Bore Diameters:
50mm/Inside Taper: 1°-26'-16"

D180 Base



Dimensions

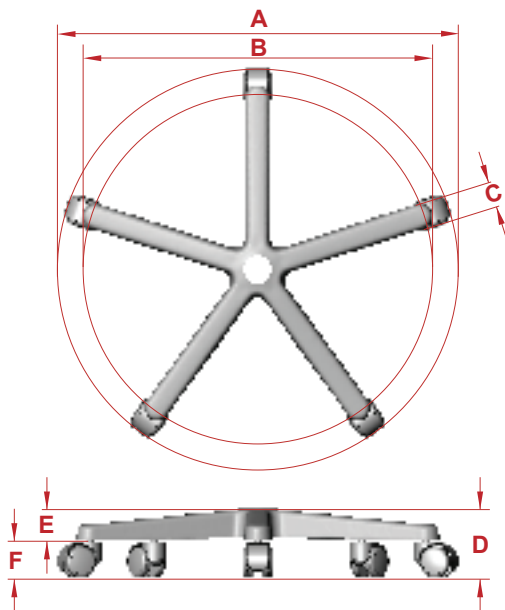
	23" Base		26" Base	
	INCHES	mm	INCHES	mm
A	27 3/10"	694 mm	30 3/10"	770 mm
B	23"	585 mm	26"	661 mm
C	1 9/10"	49 mm	1 9/10"	49 mm
D	5"	127 mm	5"	127 mm
E	2 3/5"	66 mm	2 3/5"	66 mm
F	2 2/5"	61 mm	2 2/5"	61 mm

Specifications

Sizes:
23"/26"

Center Bore Diameters:
50mm/Inside Taper: 1°-26'-16"

D190 Base



Dimensions

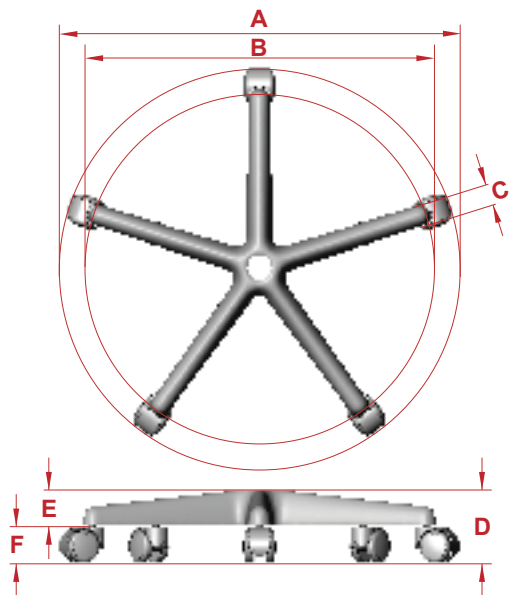
	23" Base		25" Base	
	INCHES	mm	INCHES	mm
A	27 3/10"	694 mm	29 3/10"	745 mm
B	23"	585 mm	25"	635 mm
C	1 9/10"	49 mm	1 9/10"	49 mm
D	4 4/5"	122 mm	4 4/5"	122 mm
E	2 2/5"	61 mm	2 2/5"	61 mm
F	2 2/5"	61 mm	2 2/5"	61 mm

Specifications

Sizes:
23"/25"

Center Bore Diameters:
50mm/Inside Taper: 1°-26'-16"

D200 Base



Dimensions

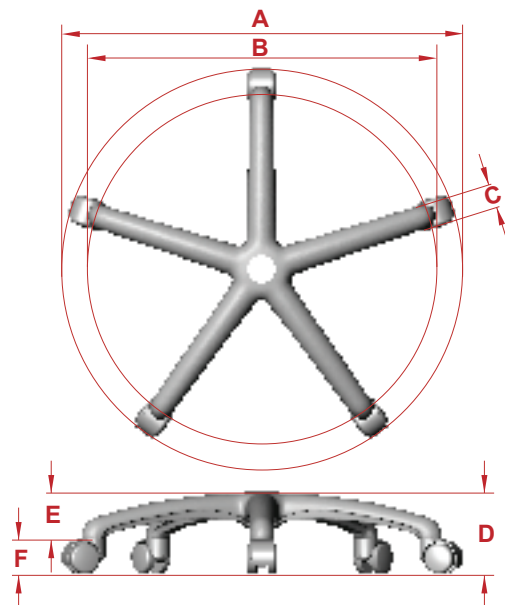
	23" Base		25" Base	
	INCHES	mm	INCHES	mm
A	27 3/10"	694 mm	29 3/10"	745 mm
B	23"	585 mm	25"	635 mm
C	1 1/2"	39 mm	1 1/2"	39 mm
D	5 1/5"	133 mm	5 1/5"	133 mm
E	2 4/5"	72 mm	2 4/5"	72 mm
F	2 2/5"	61 mm	2 2/5"	61 mm

Specifications

Sizes:
23"/25"

Center Bore Diameters:
50mm/Inside Taper: 1°-26'-16"

D210 Base



Dimensions

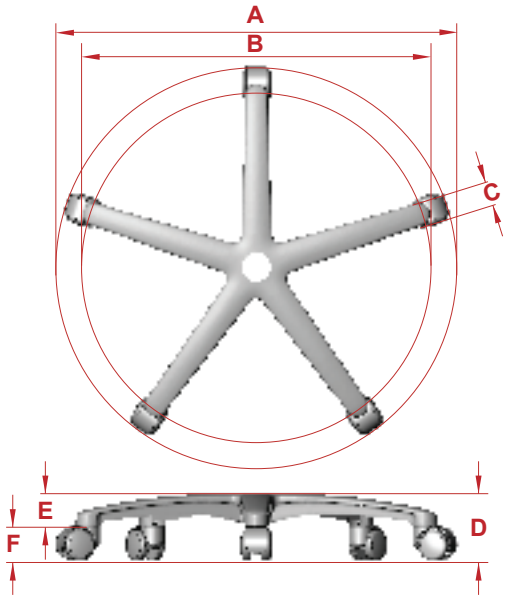
	23" Base		25" Base		27 1/2" Base	
	INCHES	mm	INCHES	mm	INCHES	mm
A	27 3/10"	694 mm	29 3/10"	745 mm	31 4/5"	808 mm
B	23"	585 mm	25"	635 mm	27 1/2"	699 mm
C	1 4/5"	46 mm	1 4/5"	46 mm	1 4/5"	46 mm
D	5 4/5"	148 mm	5 4/5"	148 mm	5 4/5"	148 mm
E	3 2/5"	87 mm	3 2/5"	87 mm	3 2/5"	87 mm
F	2 2/5"	61 mm	2. 2/5"	61 mm	2 2/5"	61 mm

Specifications

Sizes:
23"/25"/27 1/2"

Center Bore Diameters:
50mm/Inside Taper: 1°-26'-16"

D220 Base



Dimensions

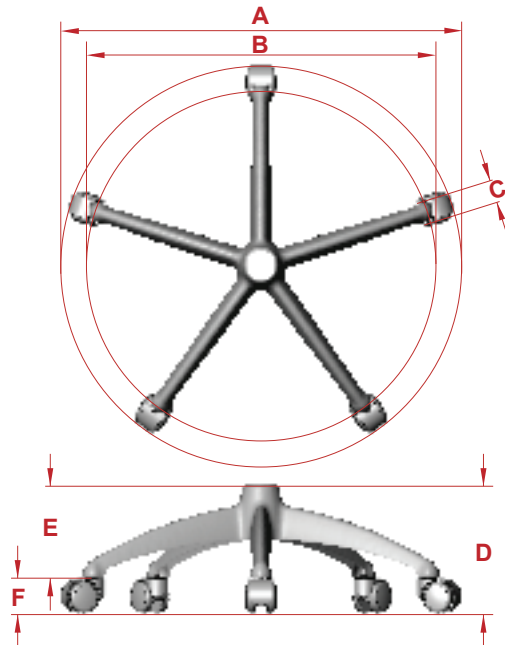
	25" Base		27" Base	
	INCHES	mm	INCHES	mm
A	29 3/10"	745 mm	31 3/10"	796 mm
B	25"	635 mm	27"	686 mm
C	1 4/5"	46 mm	1 4/5"	46 mm
D	4 4/5"	122 mm	4 4/5"	122 mm
E	2 2/5"	61 mm	2 2/5"	61 mm
F	2 2/5"	61 mm	2 2/5"	61 mm

Specifications

Sizes:
25"/27"

Center Bore Diameters:
50mm/Inside Taper: 1°-26'-16"

D230 Base



Dimensions

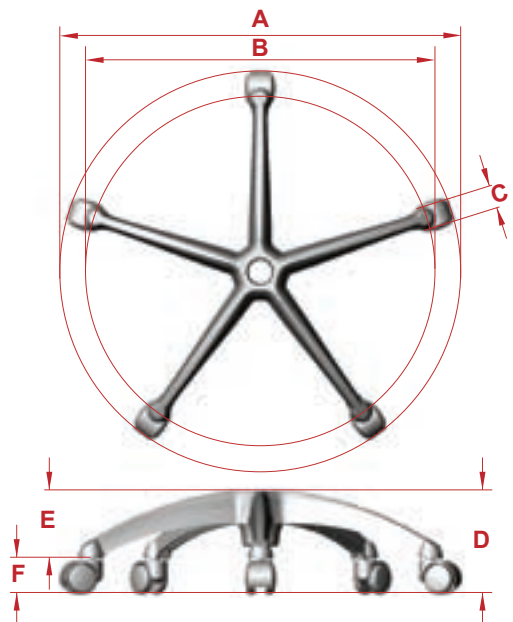
25" Base		
	INCHES	mm
A	29 3/10"	745 mm
B	25"	635 mm
C	1 1/2"	39 mm
D	9"	229 mm
E	6 3/5"	168 mm
F	2 2/5"	61 mm

Specifications

Size:
25"

Center Bore Diameters:
50mm/Inside Taper: 1°-26'-16"

D240 Base



Dimensions

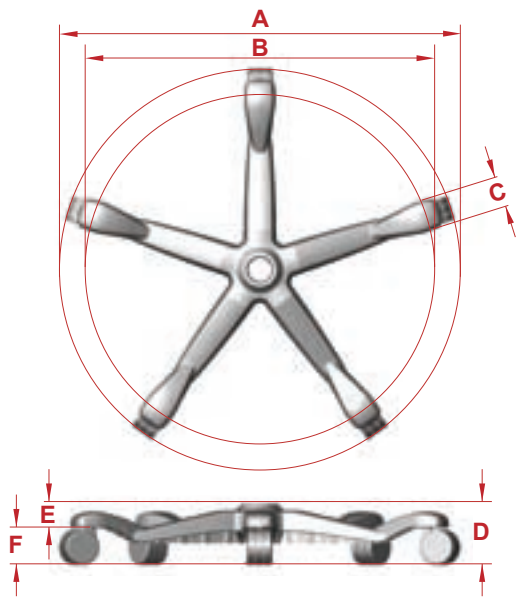
26" Base		
	INCHES	mm
A	30 3/10"	770 mm
B	26"	661 mm
C	1 4/5"	46 mm
D	7 1/2"	191 mm
E	6 3/5"	168 mm
F	2 2/5"	61 mm

Specifications

Size:
26"

Center Bore Diameters:
50mm/Inside Taper: 1°-26'-16"

D260 Base



Dimensions

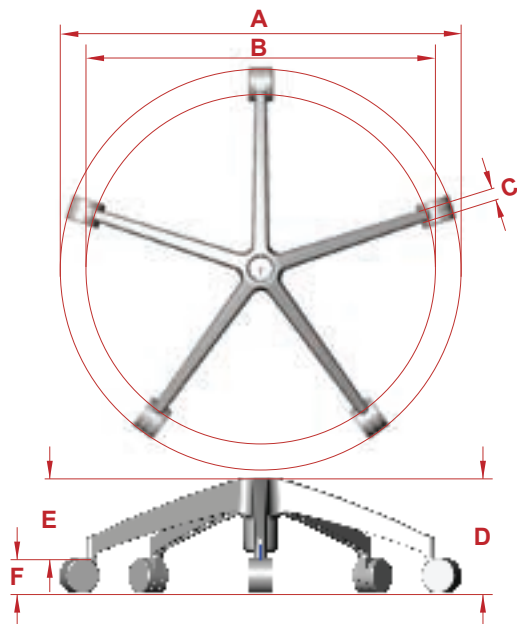
26" Base		
	INCHES	mm
A	30 3/8"	771 mm
B	26"	660 mm
C	2 1/4"	57 mm
D	4 7/16"	113 mm
E	1 7/8"	48 mm
F	2 9/16"	65 mm

Specifications

Size:
26"

Center Bore Diameters:
50mm/Inside Taper: 1°-26'-16"

D270 Base



Dimensions

26" Base		
	INCHES	mm
A	30 3/8"	771 mm
B	26"	660 mm
C	7/8"	22 mm
D	8 7/16"	214 mm
E	5 7/32"	149 mm
F	2 9/16"	65 mm

Specifications

Size:
26"

Center Bore Diameters:
50mm/Inside Taper: 1°-26'-16"

Note : When choosing a gas cylinder, remember to take into consideration the length of 'Y', the portion of the cylinder which extends below the chair base.



NORTHFIELD METAL PRODUCTS

A division of *Leggett & Platt* Ltd.

Northfield Metal Products Ltd.
a division of Leggett & Platt Ltd.

195 Bathurst Drive
Waterloo, ON N2J 3Z9 CANADA

☎ 519-884-1860
☎ 1-866-362-9301 (Canada/USA)
☎ 1-800-362-9301 (International)
☎ 519-884-5476
✉ sales@northfieldmetal.on.ca



Manufacturer certifies
that this product meets
or exceeds applicable
ANSI/BIFMA standards.



© 2009 Northfield Metal Products Ltd. The shape of a Northfield Chair Control is a TRADE-MARK of Northfield Metal Products. The shape is your guarantee that you have purchased a genuine, high quality product made by Northfield. Northfield Metal Products Ltd. is a division of Leggett & Platt Ltd. Printed in Canada.