

# Northfield Free-Float Series

*A 24-7 Work Horse for Intensive Use 24-7 Seating*



# Northfield Free-Float Series

## Free-Float Series



T791D STP-II TA TL JBUF-3 BLK 17-4E

This passive ergonomic mechanism was designed for large size chairs and is warranted for the Intensive Use market. It comes equipped with Infinite Tilt Lock and a TA lever for Pneumatic height adjustment. The optional factory installed Seat Slider provides 2 ½" of seat depth adjustment.

The Free-Float mechanism is available in a no-back design for single shell office chairs or can be outfitted with the Euro Back upright attachment allowing 3.00" and 4.00" wide back uprights to be attached with three mounting screws.



## Specifications

### MECHANISM FEATURES

**TA** Top Activated Seat Height

**Auto Seat Slider** Integrated Automotive Style and Cam Activated Seat Sliders (2.50" of travel seat slider factory installed)

### MECHANISM ANGLES

*Seat* 2° Forward  
16° Rearward

*Back* 0° Forward  
19° Rearward

### ARM BRACKETS

Welded Steel Seat Plate

### GAS CYLINDER TAPERS

17-4E

# Northfield Free-Float Series Options

## Handwheel Options



Free Float



PSR Handwheel

## 3pc Lever Options



BT Paddle



Pictogram Paddle



UK Paddle

## Side Tension Options



Crank Style



Round Handwheel



Tri-Lobe

## Arm Bracket Options



ADJ2 Welded\*

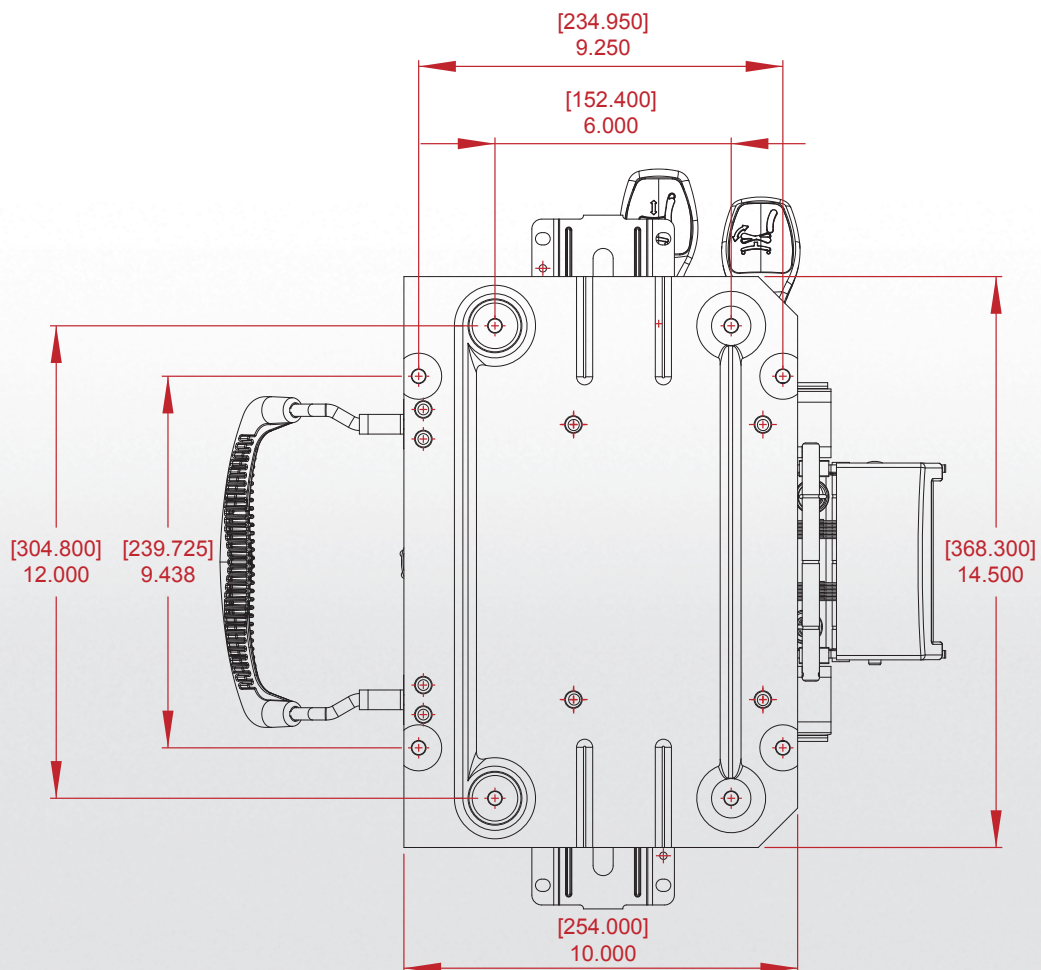
\* variable locations available by welding in different locations on the seat plate or integrated seat slider

## 3pc Auto Seat Slider Lever



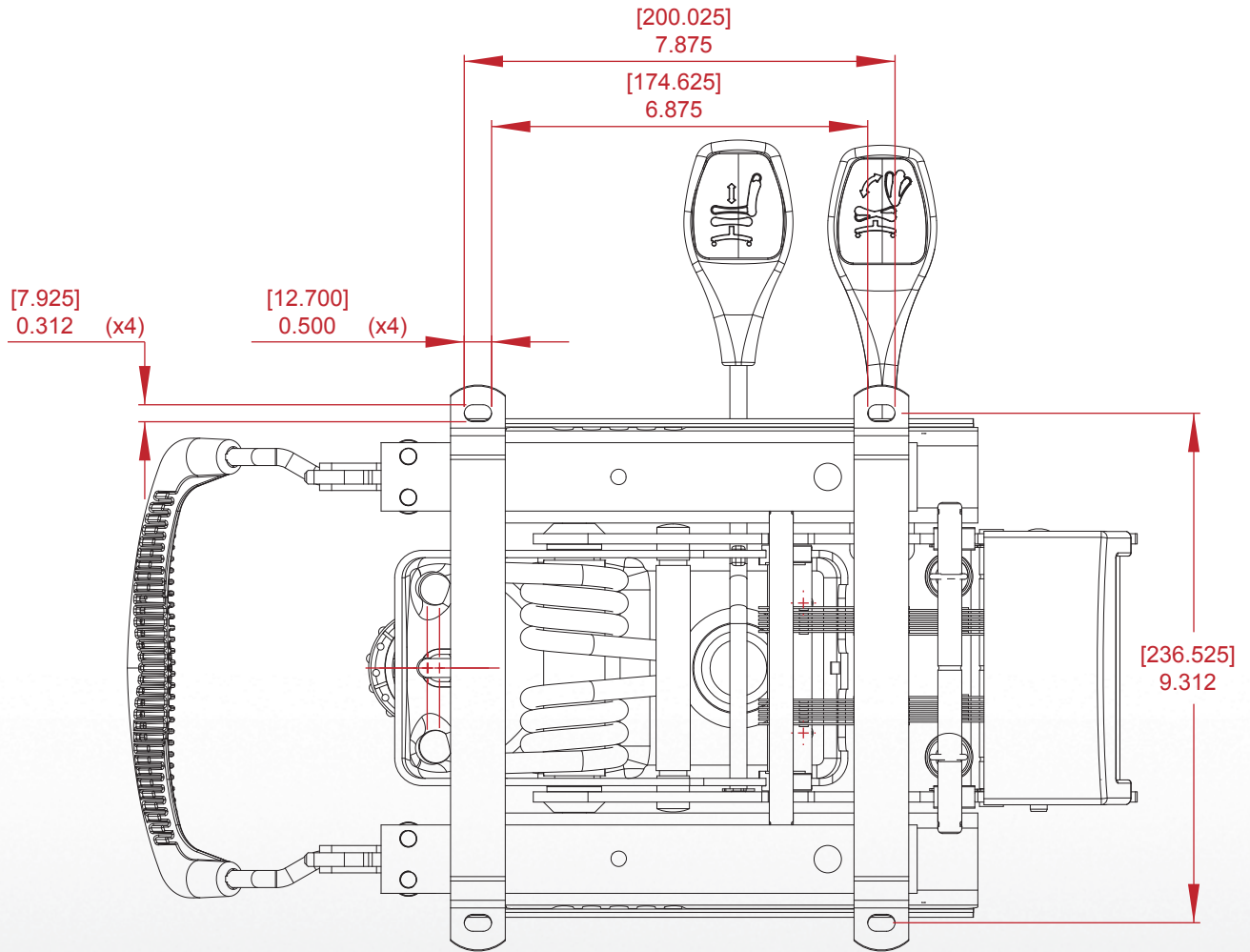
Auto Seat Slider Lever

Steel Seat Plate Option

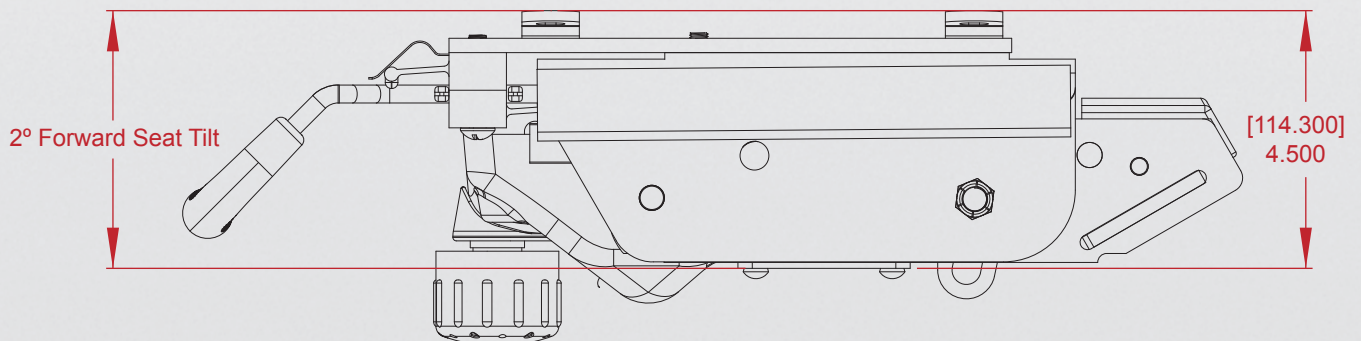


# Northfield Free-Float Series

## Integrated Seat Slider Mounting View



## Integrated Seat Slider Side Profile



**Notes:**

---



**NORTHFIELD METAL PRODUCTS**

A division of *Leggett & Platt* Ltd.

**Northfield Metal Products Ltd.**  
a division of Leggett & Platt Ltd.

195 Bathurst Drive  
Waterloo, ON N2J 3Z9 CANADA

☎ 519-884-1860  
☎ 1-866-362-9301 (Canada/USA)  
☎ 1-800-362-9301 (International)  
☎ 519-884-5476  
✉ [sales@northfieldmetal.on.ca](mailto:sales@northfieldmetal.on.ca)



Manufacturer certifies  
that this product meets  
or exceeds applicable  
ANSI/BIFMA standards.



© 2010 Northfield Metal Products Ltd. The shape of a Northfield Chair Control is a TRADE-MARK of Northfield Metal Products. The shape is your guarantee that you have purchased a genuine, high quality product made by Northfield. Northfield Metal Products Ltd. is a division of Leggett & Platt Ltd. Printed in Canada.