

Mini Free-Float

A mechanism for those who require their chair to incorporate self-adjustment in any given work situation...

This passive ergonomic mechanism was designed for medium to large size chairs. The Mini Free-Float's function is a tilt mechanism that allows the seat and backrest to follow a person's body movement independently. The spring tension in the mechanism can be adjusted to suit the body weight of the individual, and the mechanism can be locked at any angle. The JBUM option is also available allowing manual depth adjustment of the back rest. Cross bars have been added to the mechanism to provide the same hole pattern and balance point as the T3001 mechanism. An integrated seat slider option can be added to both the Euro Back and JBUM style control.



MINI FREE-FLOAT TL TA PBT WITH EURO BACK 17-4E BLK WITH CROSS BARS

Mini Free-Float

A

Auto Seat Slider version shown. A Cam Activated Integrated Seat Slider is available as well.

Both styles of auto seat sliders are available with auto return springs.



B

C



A Cam Activated Seat Slider and 3pc Lever Options



* 3pc Lever Paddle Options

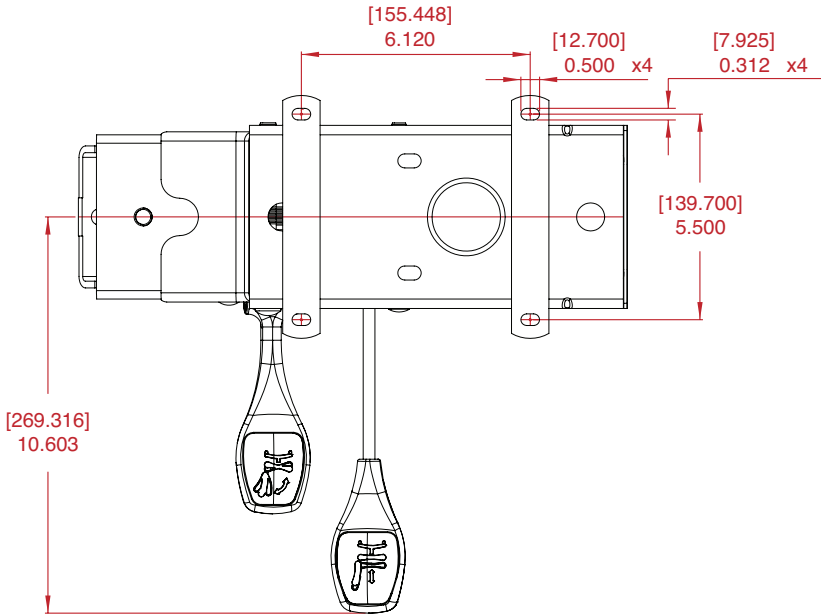
B Spring Tension Handwheel Options



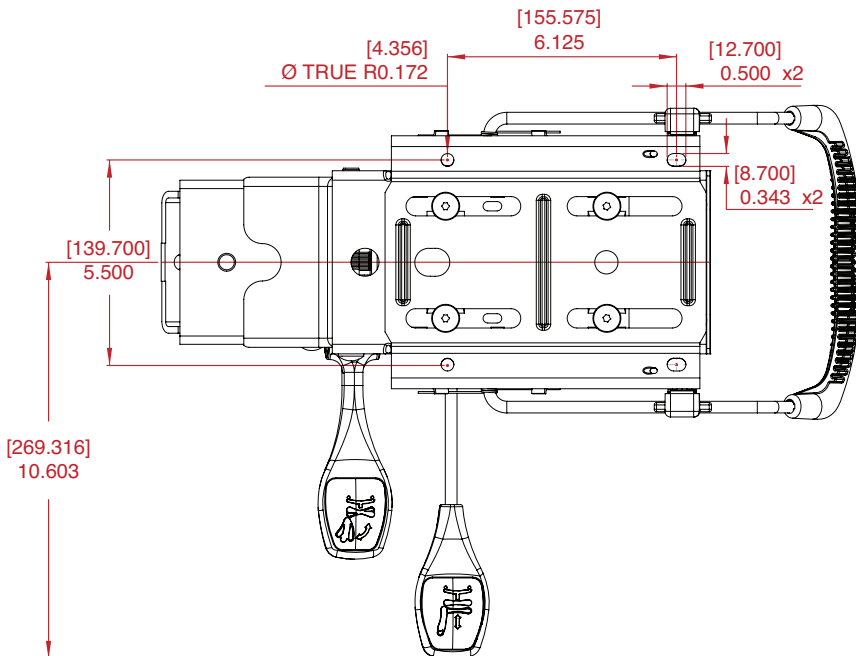
C JBUM Handwheel Options



Seat Plate Mounting View



Integrated Seat Slider Mounting View



[Millimeters]
Inches

Specifications

Mechanism Features:

- TA · Top Activated Seat Height
- TL · Infinite Tilt Lock
- X-BARS · Cross Bars
- Auto Seat Slider · Integrated Automotive Style and Cam Activated Seat Sliders (2.50" of travel seat slider factory installed)
- JBUM 3.00 · J-Shaped Back Upright Manual (manual depth adjustment)
- EB · Welded Euro Back

Gas Cylinder Tapers:

17-4E Extruded 17-4 Taper

Arm Brackets:

- ADJ2 · Adjustable Arm Brackets
- AT2 · Fixed Arm Bars

Mechanism Angles:

Mini Free-Float JBUM:

- Seat · Forward tilt 0°
- Rearward tilt 11°

- Back · Rearward 5°
- (forward) · Rearward 19°

Recommended back upright angle is 90°

Mini Free-Float EB Welded:

- Seat · Forward tilt 5°
- Rearward tilt 11°

- Back · Rearward 1°
- (forward) · Rearward 12°

Recommended back upright angle is 120°

Northfield Metal Products Ltd.

195 Bathurst Drive
Waterloo, ON N2J 3Z9 CANADA
☎ 519-884-1860
☎ 1-866-362-9301 (Canada/USA)
☎ 1-800-362-9301 (International)
☎ 519-884-5476
✉ sales@northfieldmetal.on.ca



© 2009 Northfield Metal Products Ltd. The shape of a Northfield Chair Control is a TRADE-MARK of Northfield Metal Products. The shape is your guarantee that you have purchased a genuine, high quality product made by Northfield. Northfield Metal Products Ltd. is a division of Leggett & Platt Ltd. Printed in Canada.



Manufacturer certifies that this product meets or exceeds applicable ANSI/BIFMA standards.

