

Northfield SP6000 Series

A complete family of chair controls that meets the needs of any office environment, from managerial to task-designated seating.



Northfield SP6000 Series

SP6100



The SP6100 mechanism is designed for small to medium sized two piece chairs when seat tilt is not required. The 6100 series can be equipped with infinite tilt lock for separate back adjustment and a TA lever for pneumatic height adjustment.

SP6000



The SP6000 mechanism was designed for small to medium sized two piece chairs. It comes equipped with infinite tilt lock which controls the seat and back tilt with one lever.

The TA lever is responsible for pneumatic height adjustment.

SP6000 DL



The SP6000 DL (Double Lever) mechanism was designed for small to medium size chairs when separate back adjustment is required. The SP6000 DL is equipped with infinite tilt lock on the seat and back which are controlled by individual cam levers.

The TA lever is responsible for pneumatic height adjustment.

Separate Back Options



Seat Spring Handwheel



Specifications

Mechanism Features:

TA Top Activation

Gas Cylinder Tapers:

The SP6000 Mechanism is only available in a one piece extruded 17-4E taper. This allows the SP6000 to have 80% contact on the gas cylinder taper.

Arm Brackets:

ADJ2 Adjustable Arm Brackets
AT2 Fixed Arm Bars

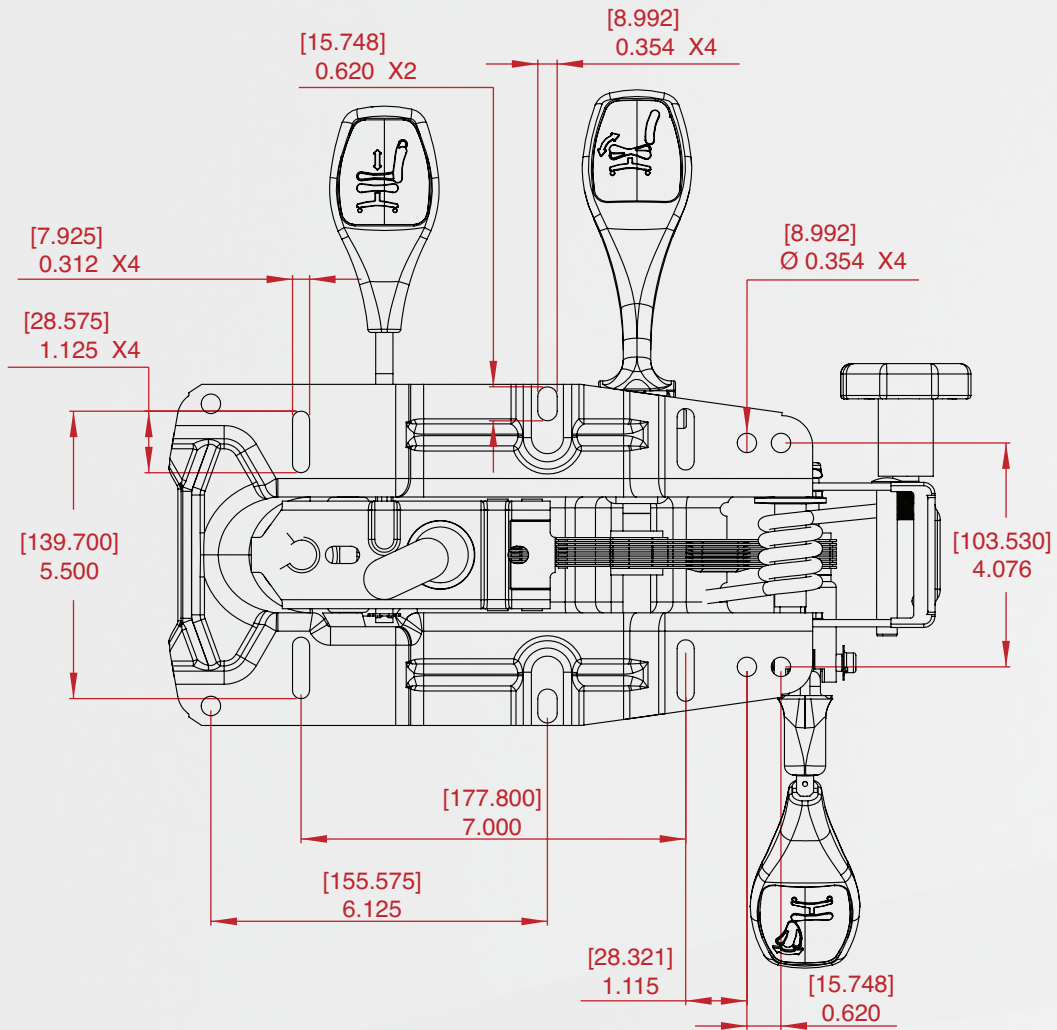
Seat Spring:

S Front Spring
SH Front Spring with Handwheel
HDS Heavy Duty Spring

Mechanism Angles:

Seat Forward tilt 6°
Rearward tilt 6°
18M Back Rearward 11°
Rearward 21°

Seat Plate Mounting View



[Millimeters]
Inches



NORTHFIELD METAL PRODUCTS

A division of *Leggett & Platt* Ltd.

Northfield Metal Products Ltd.
a division of Leggett & Platt Ltd.

195 Bathurst Drive
Waterloo, ON N2J 3Z9 CANADA

☎ 519-884-1860
☎ 1-866-362-9301 (Canada/USA)
☎ 1-800-362-9301 (International)
☎ 519-884-5476
✉ sales@northfieldmetal.on.ca



Manufacturer certifies
that this product meets
or exceeds applicable
ANSI/BIFMA standards.



© 2009 Northfield Metal Products Ltd. The shape of a Northfield Chair Control is a TRADE-MARK of Northfield Metal Products. The shape is your guarantee that you have purchased a genuine, high quality product made by Northfield. Northfield Metal Products Ltd. is a division of Leggett & Platt Ltd. Printed in Canada.