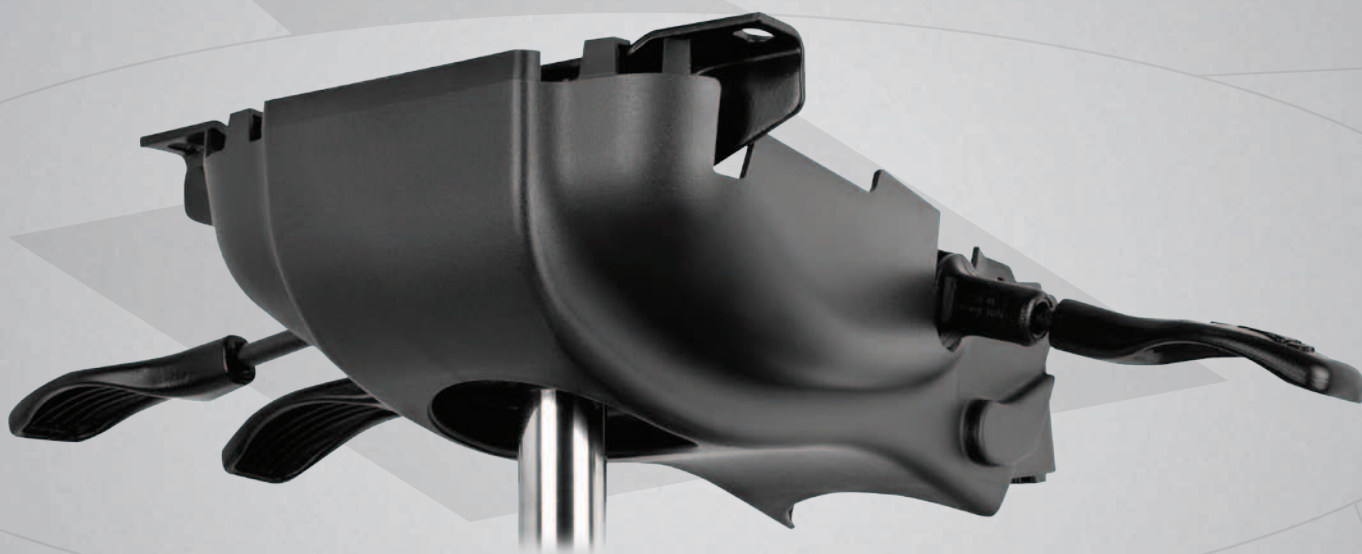


Northfield SP7000 Series

A family of chair controls providing continuous comfort and reliable value.



Northfield SP7000 Series

SP7100



The SP7100 mechanism was designed for small to medium sized chairs when seat tilt is not required. It is equipped with Infinite Tilt Lock for back adjustment and a TA Lever for pneumatic height adjustment.

SP7000



The SP7000 mechanism was designed for small to medium sized chairs. It's equipped with Infinite Tilt Lock that controls the seat and back tilt with one lever and a TA lever for pneumatic height adjustment.

SP7000 DL



The SP7000DL (Double Lever) mechanism was designed for small to medium sized chairs when separate back adjustment is desired. Both the seat and back are control with individual cam levers equipped with Infinite Tilt Lock. The mechanism has a TA lever for pneumatic height adjustment.

Optional Shroud

An optional plastic shroud is available for all models of the SP7000 series. The shroud streamlines the overall appearance of the mechanism.



Specifications

Mechanism Features:

TA Top Activation

Arm Brackets:

ADJ2 Adjustable Arm Brackets

AT2 Fixed Arm Bars

Gas Cylinder Tapers:

The SP7000 Mechanism is only available in a one piece extruded 17-4E taper. This allows the SP7000 to have 80% contact on the gas cylinder taper.

Mechanism Angles:

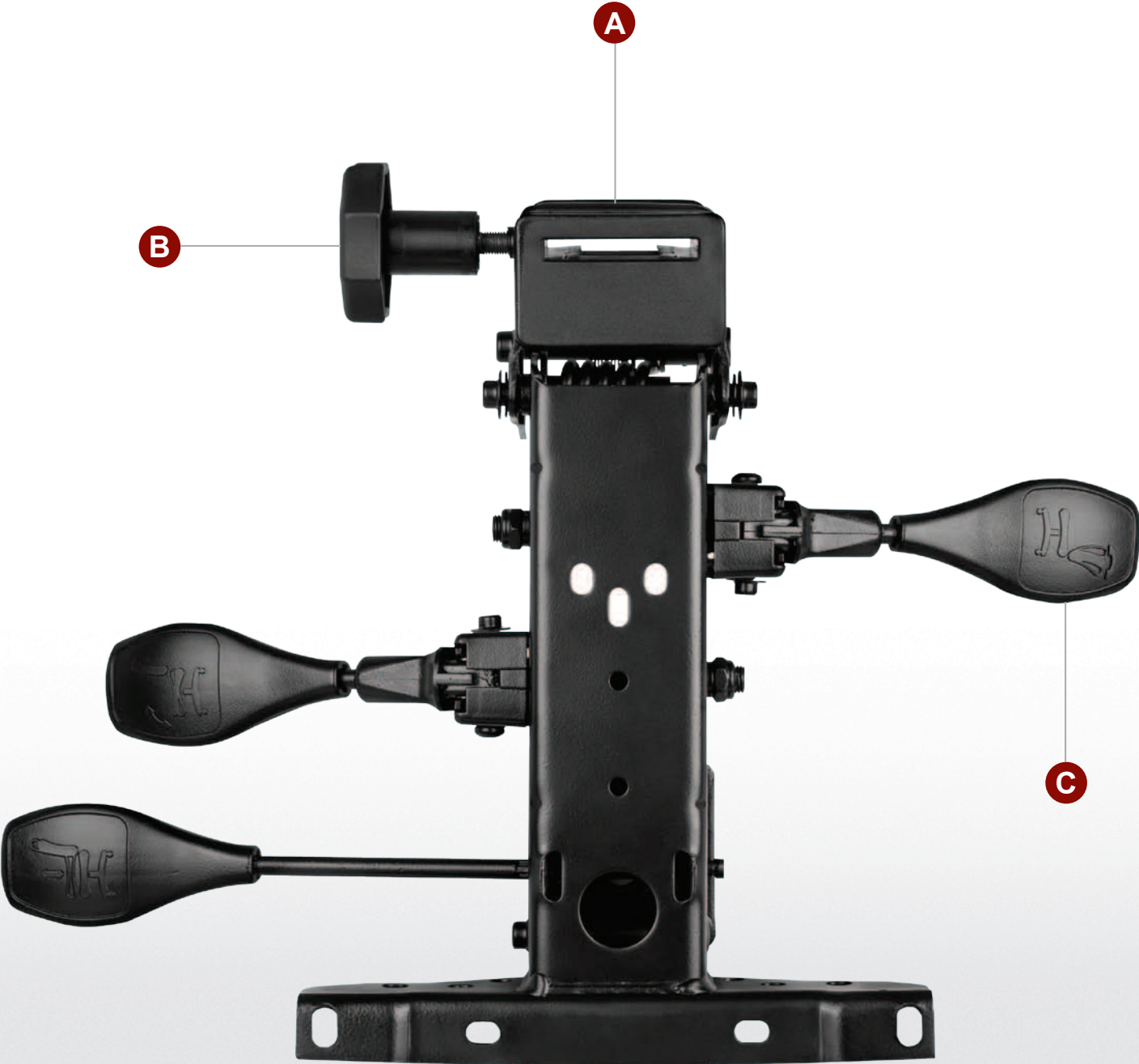
Seat Forward tilt 4.5°

Rearward tilt 5°

18M Back Rearward 13°

Rearward 25°

Northfield SP7000 Series Options



SP7000DLL TA 18M 2.25 BLK 174E WITH PICTOGRAM PADDLES

A Separate Back Options



B Handwheel Options

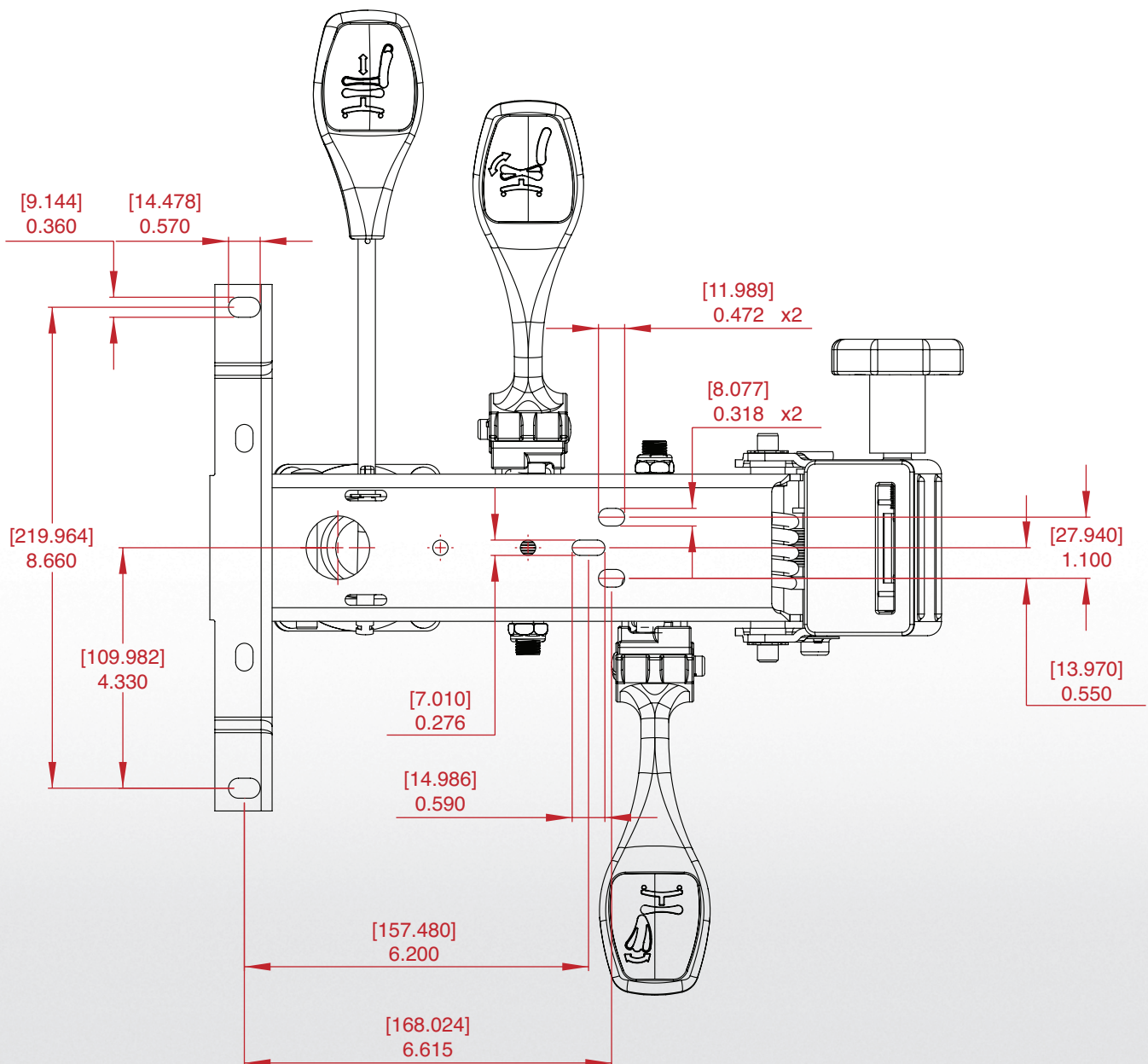


C 3pc Lever Options



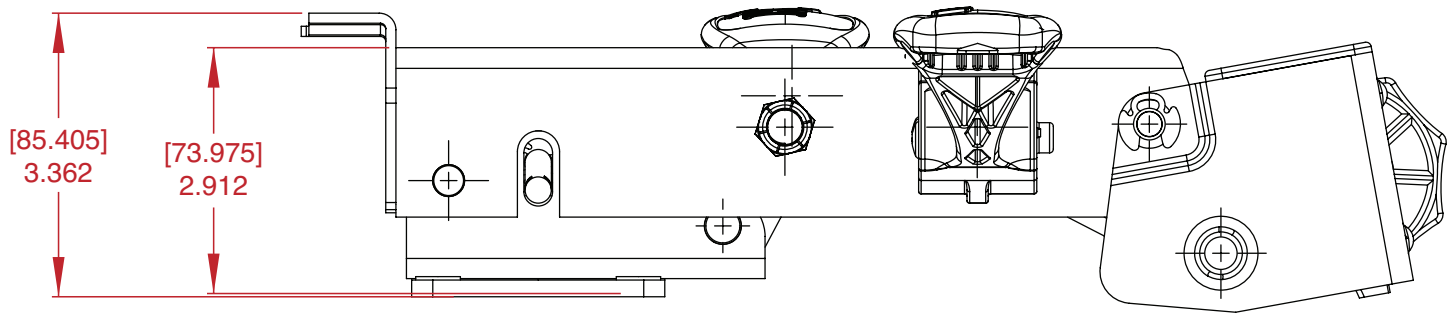
Northfield SP7000 Series

Seat Plate Mounting View



[Millimeters]
Inches

Side Profile



Notes:



NORTHFIELD METAL PRODUCTS

A division of *Leggett & Platt* Ltd.

Northfield Metal Products Ltd.
a division of Leggett & Platt Ltd.

195 Bathurst Drive
Waterloo, ON N2J 3Z9 CANADA

☎ 519-884-1860
☎ 1-866-362-9301 (Canada/USA)
☎ 1-800-362-9301 (International)
☎ 519-884-5476
✉ sales@northfieldmetal.on.ca



Manufacturer certifies
that this product meets
or exceeds applicable
ANSI/BIFMA standards.



© 2009 Northfield Metal Products Ltd. The shape of a Northfield Chair Control is a TRADE-MARK of Northfield Metal Products. The shape is your guarantee that you have purchased a genuine, high quality product made by Northfield. Northfield Metal Products Ltd. is a division of Leggett & Platt Ltd. Printed in Canada.