

Northfield Steno Plates

*Incorporating ergonomics in medical, dental, healthcare, beauty,
clean room, and laboratory sectors...*



NORTHFIELD METAL PRODUCTS

A division of *Leggett & Platt* Ltd.

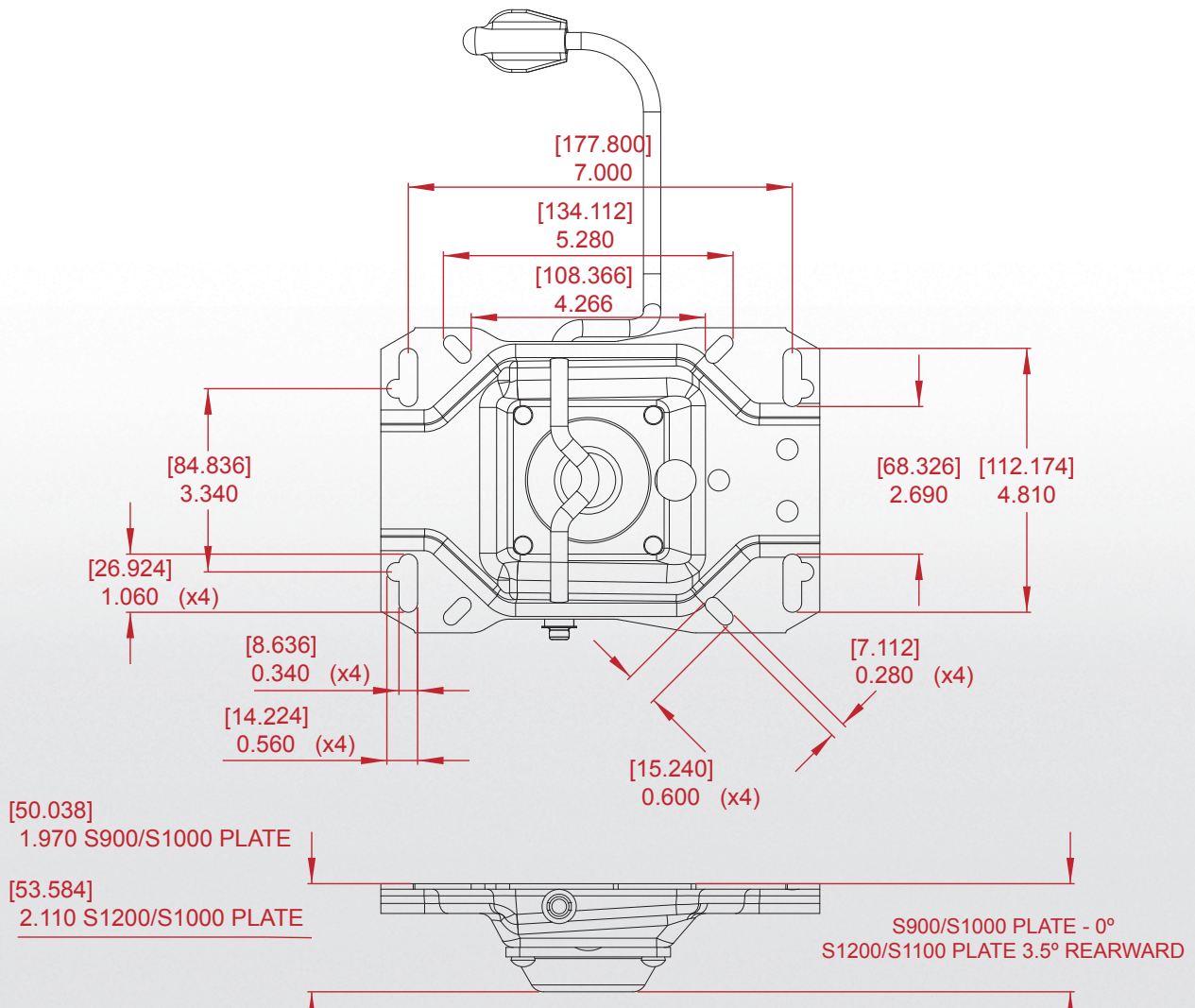
Northfield Steno Plates

S900 / S1000 Plate



The S900 plate has a 0° seat pitch and can be equipped with a TA lever for pneumatic height adjustment. A spindle, bell, and washer combination for manual height adjustment is also available.

If an all thread spindle is required the S1000 plate can be ordered.

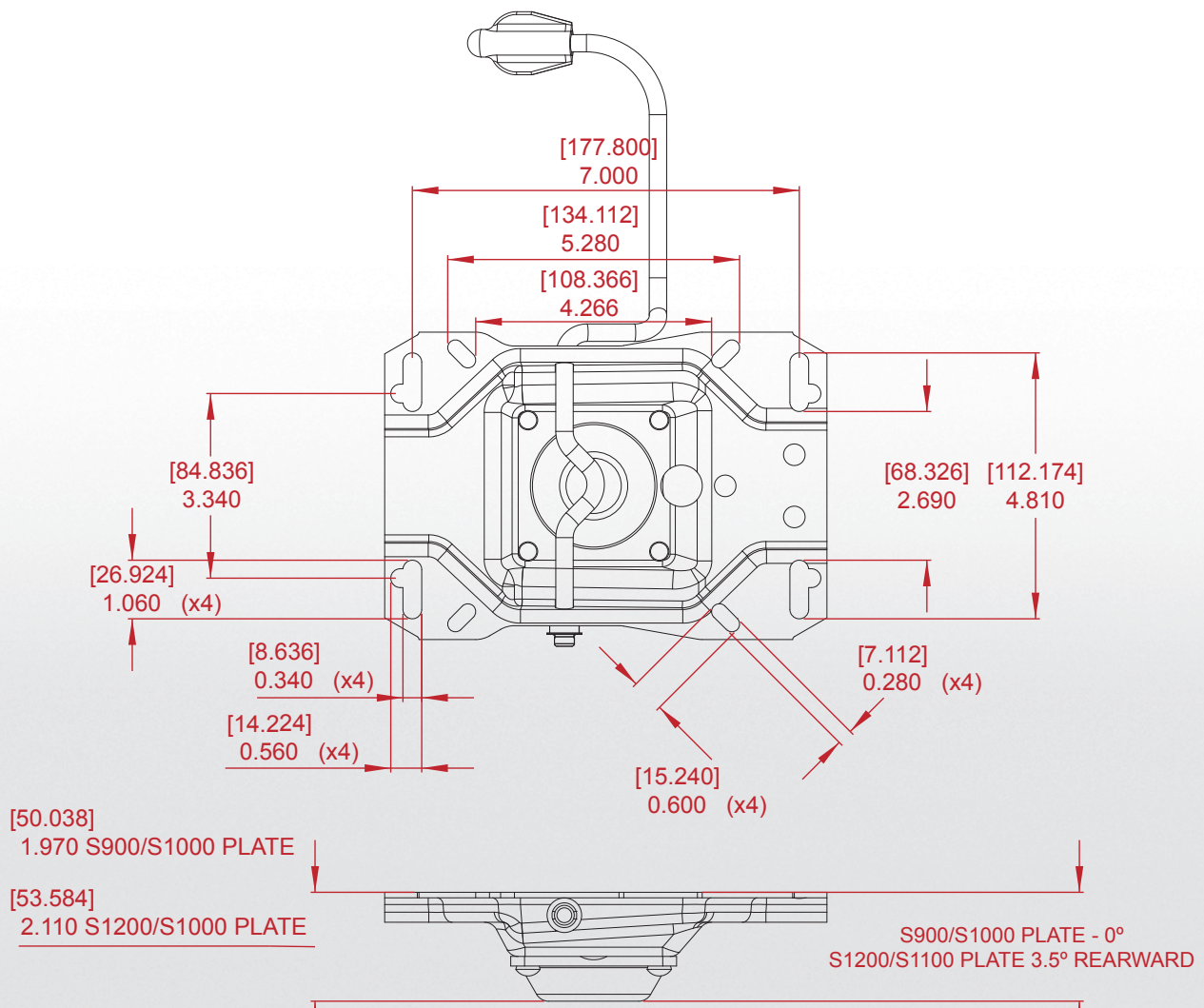


The S1200 plate has 3.5° of rearward seat pitch and can be equipped with a TA lever for pneumatic height adjustment or a spindle, bell, and washer combination for manual height adjustment.

If an all thread spindle is required the S1100 plate can be ordered.



S1200 / S1100 Plate



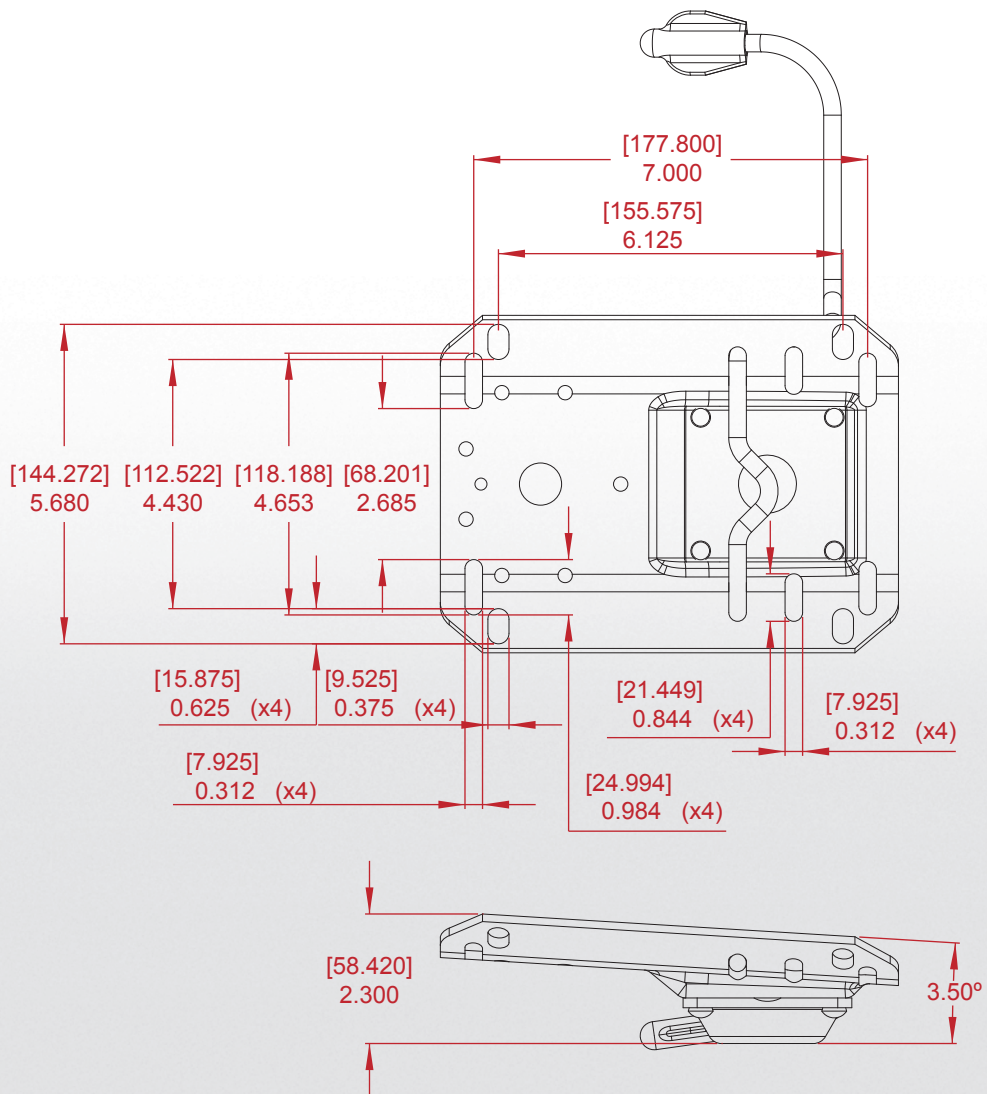
Northfield Steno Plates

S1300 Plate



The S1300 plate has 3.5° of rearward seat pitch and can be equipped with a TA lever for pneumatic height adjustment or a spindle, bell, and washer combination for manual height adjustment.

The S1300 Plate supports the T3001 Hole Pattern.

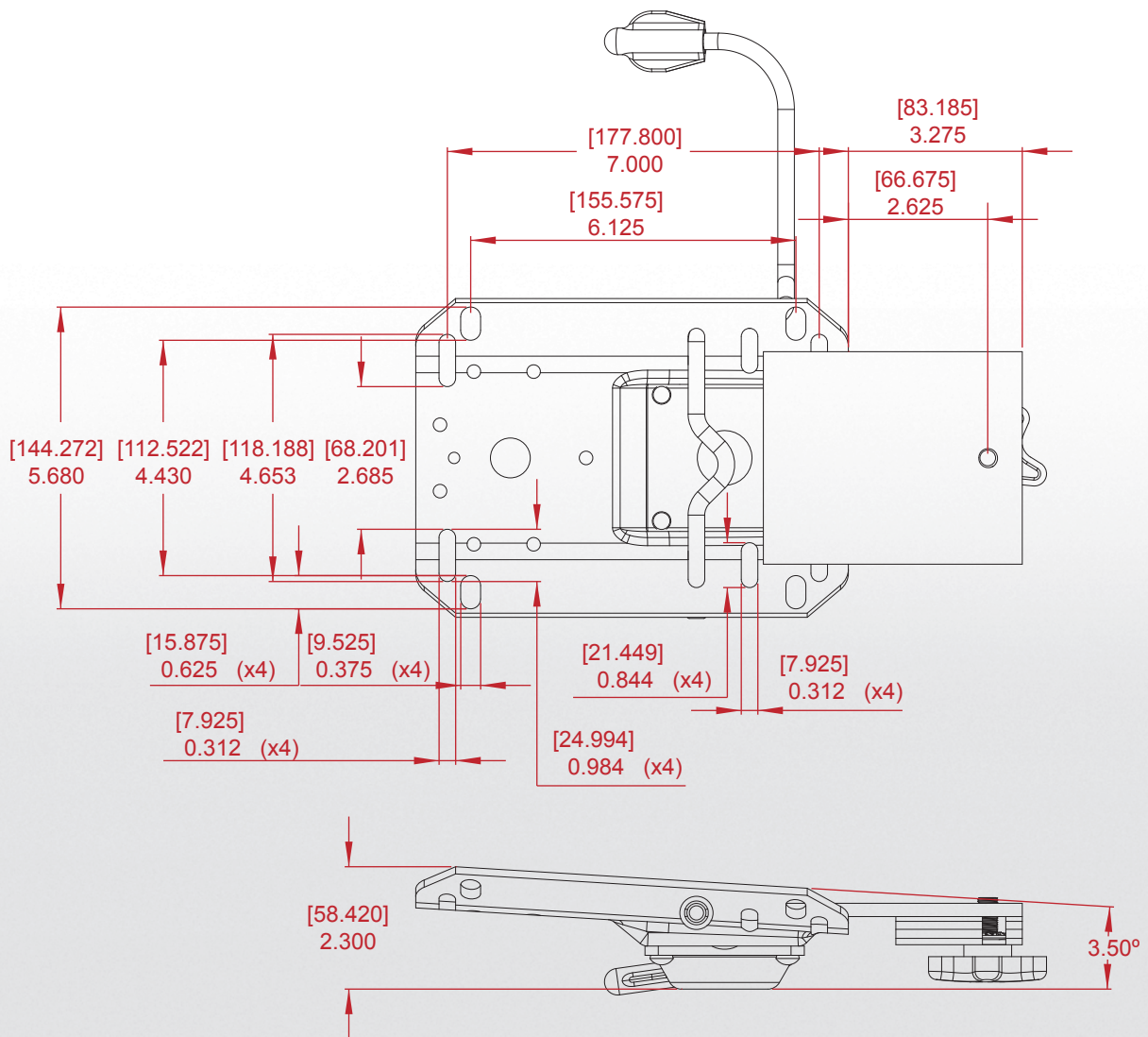


The S1300U plate is the same as the S1300 but has the addition of a welded stub that allows a back upright to be mounted for two piece chair capabilities. The S1300U has 3.5° of rearward seat pitch and can be equipped with a TA lever for pneumatic height adjustment or a spindle, bell, and washer combination for manual height adjustment

The S1300U Plate supports the T3001 Hole Pattern.



S1300U Plate

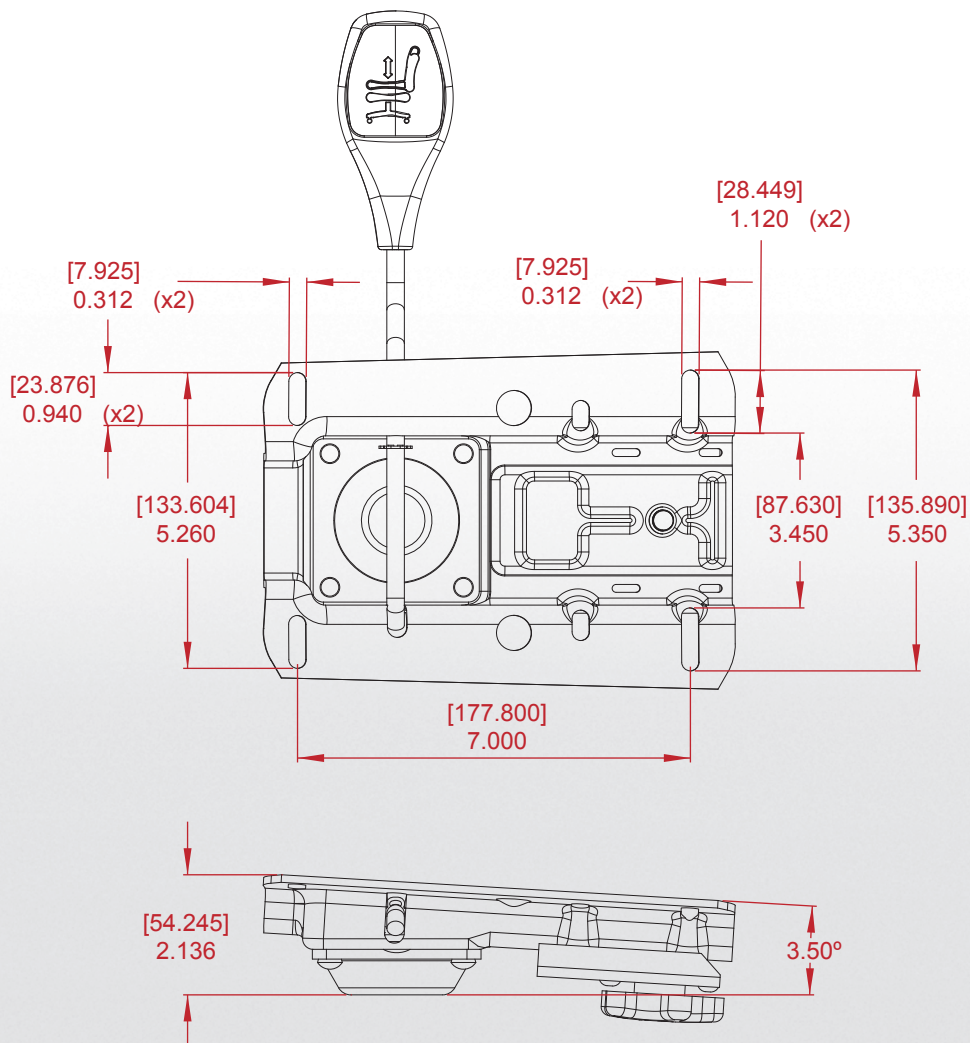


Northfield Steno Plates

SB1600 Plate



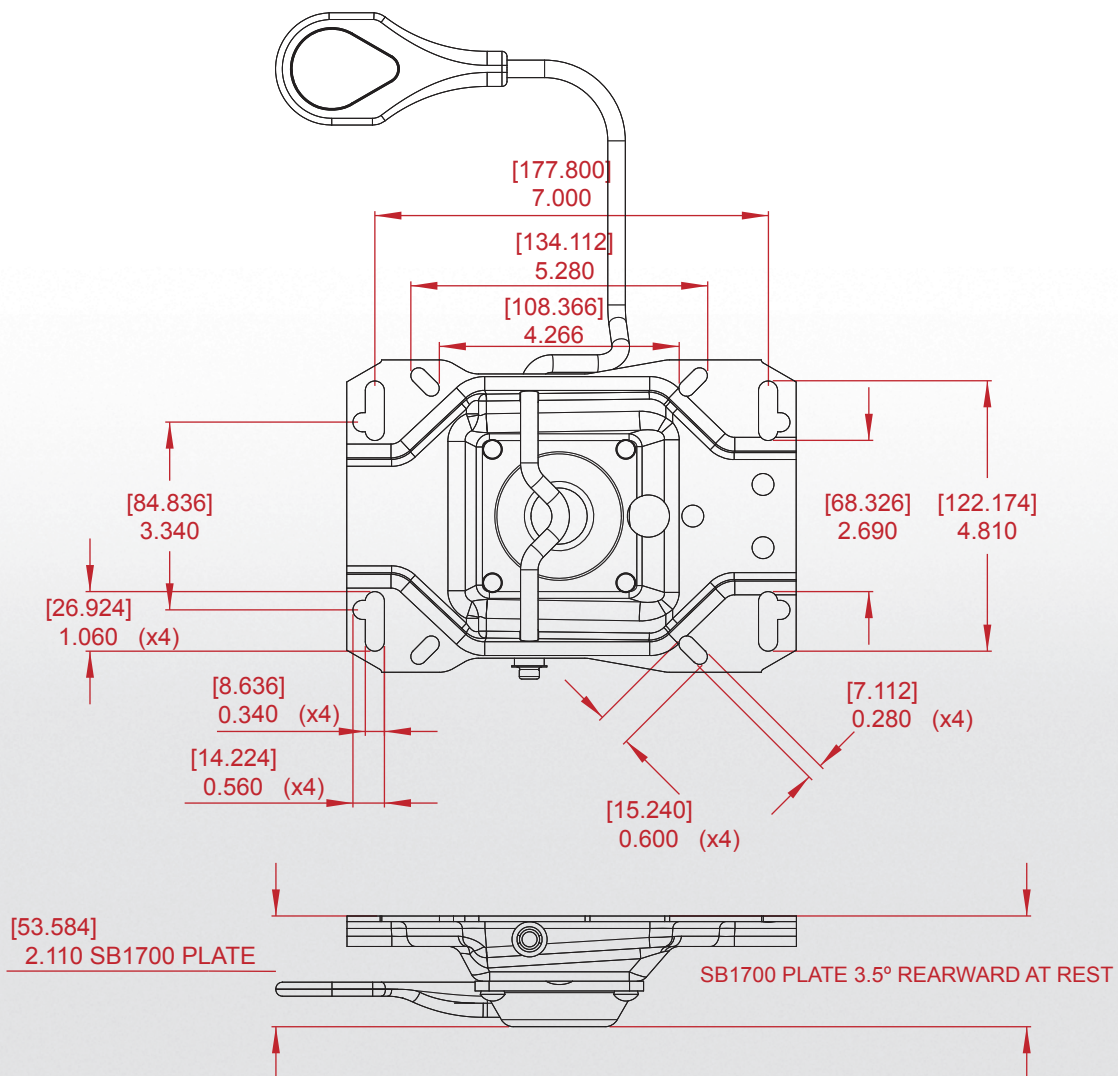
The SB1600 Plate has 3.5° of rearward seat pitch and utilizes 2.25" and 3.00" width detachable back uprights. This plate can be equipped with a TA Lever for pneumatic height adjustment or a spindle, bell, and washer combination for manual height adjustment.



The SB1700 Plate has 3.5° of rearward seat pitch and utilizes 2.25" width knock down back upright. This plate can be equipped with a TA Lever for pneumatic height adjustment or a spindle, bell, and washer combination for manual height adjustment.



**SB1700 Plate Complete
with Back Upright**

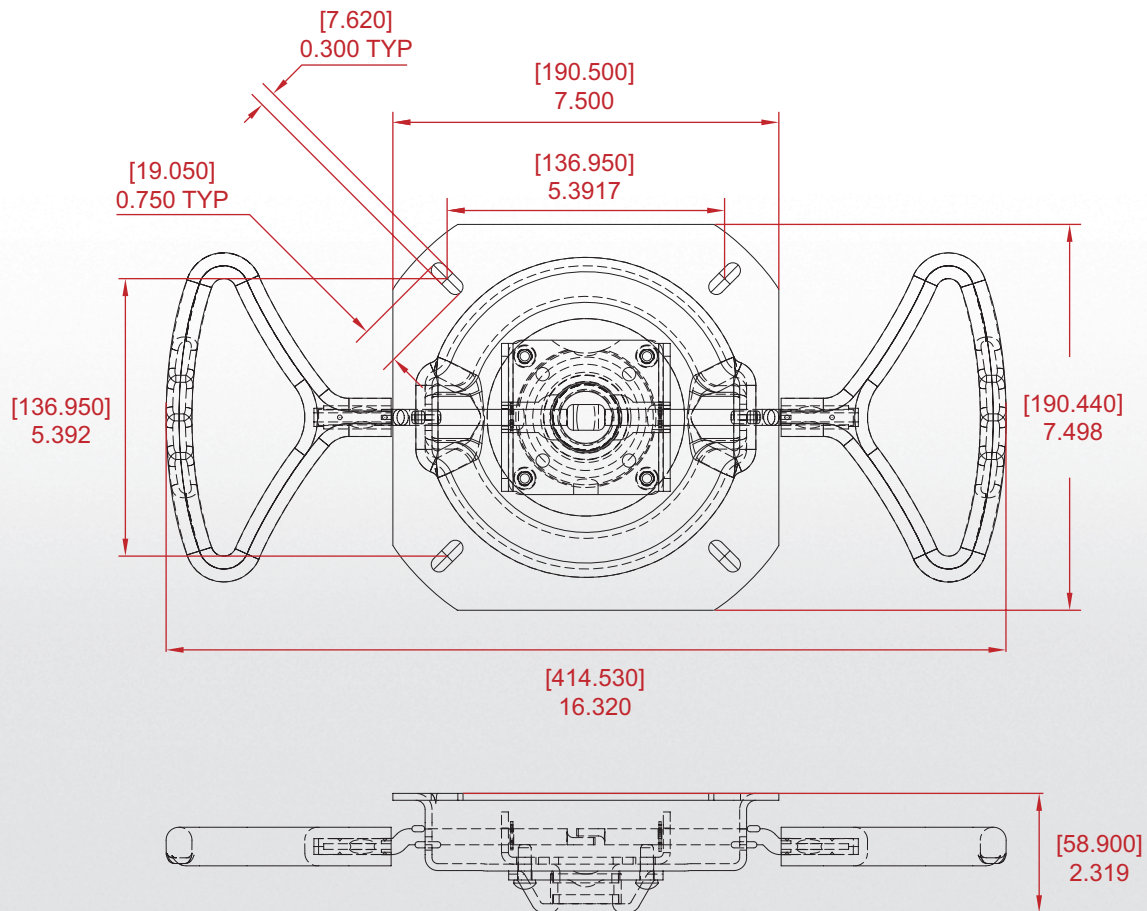


Northfield Steno Plates

Medical Plate



The Northfield Medical Plate is designed for professionals who want to incorporate ergonomics commonly found in office seating environments. The Medical Plate has 0° seat pitch and is equipped with two TA levers for pneumatic height adjustment. A spindle, bell and washer combination for manual height adjustment is also available.



3 Piece Lever Paddle Options



BT Paddle



Pictogram Paddle



UK Paddle



Spoon Paddle



EG Paddle



SG Paddle



S-Knob



Medical/Dental Lever

Specifications

GAS CYLINDER TAPERS

- 17-26
- 17-E
- 17-4

Notes:

Notes:



NORTHFIELD METAL PRODUCTS

A division of *Leggett & Platt* Ltd.

Northfield Metal Products Ltd.
a division of Leggett & Platt Ltd.

195 Bathurst Drive
Waterloo, ON N2J 3Z9 CANADA

☎ 519-884-1860
☎ 1-866-362-9301 (Canada/USA)
☎ 1-800-362-9301 (International)
☎ 519-884-5476
✉ sales@northfieldmetal.on.ca



Manufacturer certifies
that this product meets
or exceeds applicable
ANSI/BIFMA standards.



© 2010 Northfield Metal Products Ltd. The shape of a Northfield Chair Control is a TRADE-MARK of Northfield Metal Products. The shape is your guarantee that you have purchased a genuine, high quality product made by Northfield. Northfield Metal Products Ltd. is a division of Leggett & Platt Ltd. Printed in Canada.