

**NORTHFIELD**

# T3001 ROTARY FTS



## Created for task seating applications with passive ergonomics in mind...

Multi-Task chairs are generally specified for 'Task Specific' uses such as administrative, data processing, switchboard, and customer service applications when the tasks at hand require long periods of seated work.

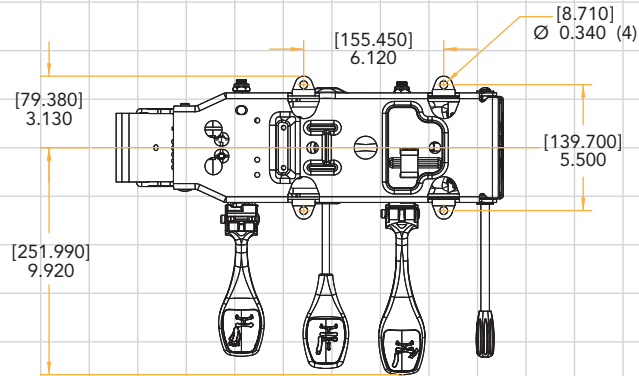
The T3001 Rotary FTS Tilter from Northfield was developed with all this in mind. This new feature provides the user infinite forward tilt between 3.5 degrees rearward to 5 degrees forward travel. A responsive and versatile tilter, the T3001 Rotary FTS mechanism is designed for use on medium to large size chairs. The mechanism is equipped with Infinite Tilt Lock for independent back adjustment and a Top Activation lever for pneumatic height adjustment. The T3001 Rotary FTS series can also be outfitted with several separate back adjustment options to complete your chair requirements.



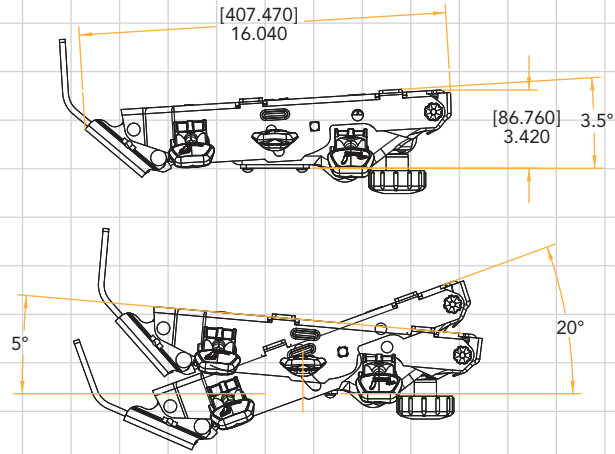
## MEASUREMENTS

### SEAT PLATE MOUNTING VIEW

#### TOP PROFILE

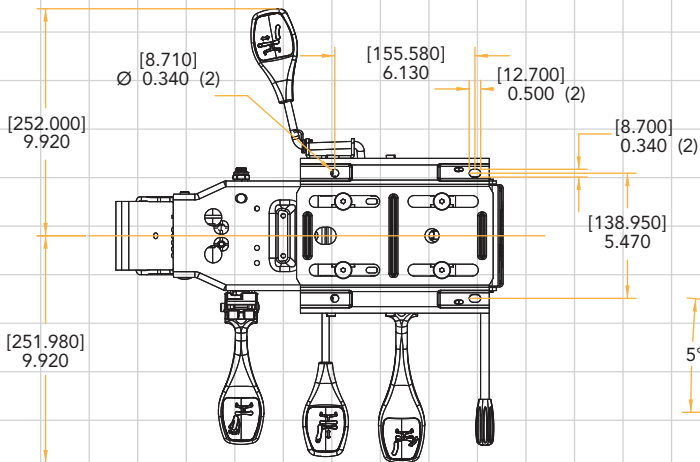


#### SIDE PROFILE

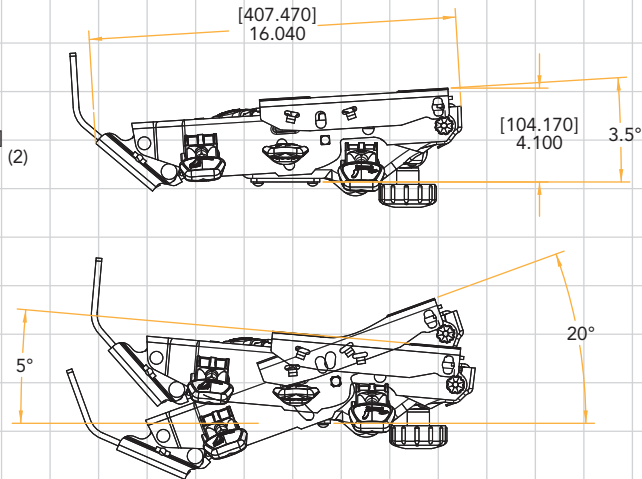


### INTEGRATED SEAT SLIDER MOUNTING VIEW

#### TOP PROFILE



#### SIDE PROFILE



## SPECIFICATIONS

### MECHANISM FEATURES

- TA Top Activation
- TL Infinite Tilt Lock
- HD Heavy Duty Spring

### Auto Seat Slider

- Integrated Automotive Style and Cam Activated Seat Sliders (2.50" of travel seat slider factory installed)

### ROTARY FTS

- This feature provides infinite forward tilt between 3.5° rearward to 5° forward travel.

### BUMPERS

#### Tall Rear Bumpers

- These bumpers are used to reduce the seat travel by either 10°, 12°, or 17°.

### ARM BRACKETS

- ADJ2 Adjustable Arm Brackets
- AT2 Fixed Arm Brackets

### GAS CYLINDER TAPERS

17-4E Extruded 17-4 Taper

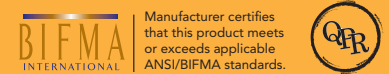
### MECHANISM ANGLES

#### Seat

- Forward Tilt 3.5° rearward
- Rearward Tilt 20°

Northfield Metal Products Ltd.  
a division of Leggett & Platt Canada Co.  
195 Bathurst Drive  
Waterloo, ON N2J 3Z9 CANADA

phone: (519) 884-1860  
toll-free: 1 (866) 362-9301 (Canada/USA)  
toll-free: 1 (800) 362-9301 (International)  
fax: (519) 884-5476  
email: sales@northfieldmetal.on.ca



© 2012 Northfield Metal Products Ltd. The shape of a Northfield Chair Control is a TRADE-MARK of Northfield Metal Products. The shape is your guarantee that you have purchased a genuine, high quality product made by Northfield. Northfield Metal Products Ltd. is a division of Leggett & Platt Canada Co. Printed in Canada.