

# Northfield T3001 Tilter Series

*Created for task seating applications*



# Northfield T3001 Tilter Series

## T3001 Tilter Series



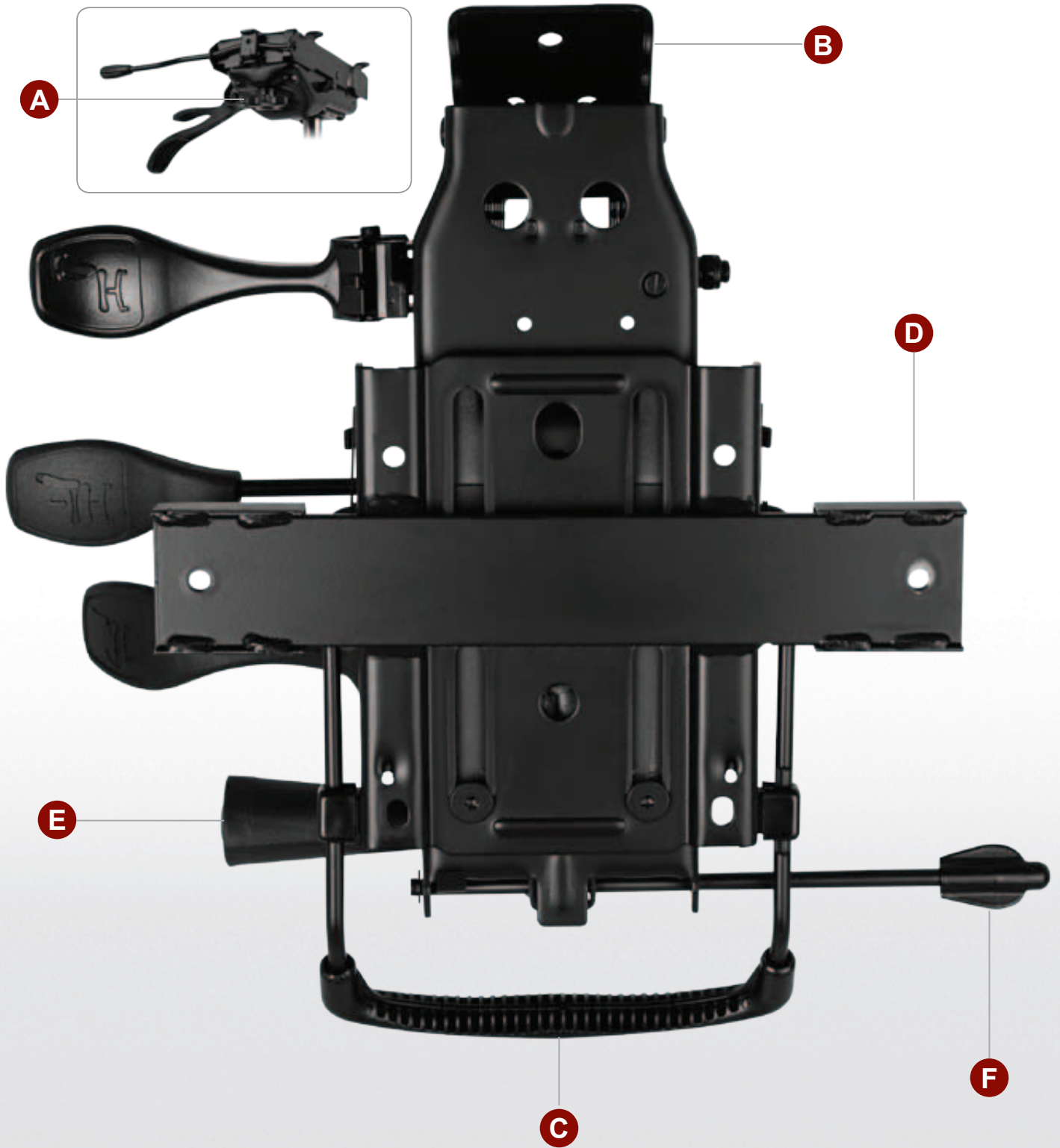
T3001FTS TL TA 18M 2.25 BLK 17-4E

Multi-Task chairs are generally specified for 'Task Specific' uses such as administrative, data processing, switchboard, and customer service applications when the tasks at hand require long periods of seated work.

The T3001 Tilter from Northfield was developed with all this in mind. A responsive and versatile tilter, the T3001 mechanism is designed for use on medium to large size chairs. The mechanism is equipped with Infinite Tilt Lock for independent back adjustment and a Top Activation lever for pneumatic height adjustment.

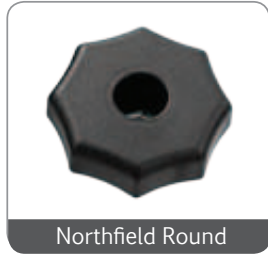
The T3001 series can also be outfitted with several separate back adjustment options to complete your chair requirements.





# Northfield T3001 Tilter Series Options

## A Handwheel Options



## B Separate Back Options



## C Cam Activated Seat Slider and 3pc Lever Options



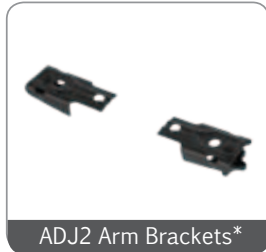
\* 3pc Lever Paddle Options



**D** Arm Bracket Options



ADJ2 Welded\*†



ADJ2 Arm Brackets\*

\* variable locations available by welding in different locations on the seat plate or integrated seat slider

† Customer is to specify arm bracket Length and Location for the ADJ2 Welded Arm Bracket.

**E** Side Tension Options



Crank Style



Round Handwheel



Tri-Lobe

**F** FTS Lever Options



S-Knob



Arrowhead

\* FTS - Front Tilt Stop

The FTS lever is located in the front of the mechanism on the right side. To operate the FTS lever twist the lever forward or rear ward. If the lever is twisted forward the FTS block will slide forward allowing the seat of the chair to tilt approximately 6.75 degrees forward. If the FTS lever is twisted rearward the FTS block will slide towards the mechanism. This will restrict the front tilt of the seat approximately 3.5 degrees rear ward.

[Note: To operate the FTS option lean slightly rearward to make the adjustments. This will allow the FTS block to move freely.]

There are two styles of levers available, standard (bent) or straight.

Specifications

**MECHANISM FEATURES**

**TA** – Top Activation

**TL** – Infinite Tilt Lock

**HD** – Heavy Duty Spring

**Auto Seat Slider** – Integrated Automotive Style and Cam Activated Seat Sliders (2.50" of travel seat slider factory installed)

**BUMPERS**

**Standard Bumper** – The standard bumper does not allow forward tilt. The mechanism stops 3 ½ degrees rearward.

**FT** – Front Tilt Bumper: used when 6 ¾ degrees is required without using an extra lever.

**FTS** – Front Tilt Stop

**Tall Rear Bumpers** – These bumpers are used to reduce the seat travel by 10°, 12°, or 17°.

**ARM BRACKETS**

**ADJ2** – Adjustable Arm Brackets

**AT2** – Fixed Arm Bars

**GAS CYLINDER TAPERS**

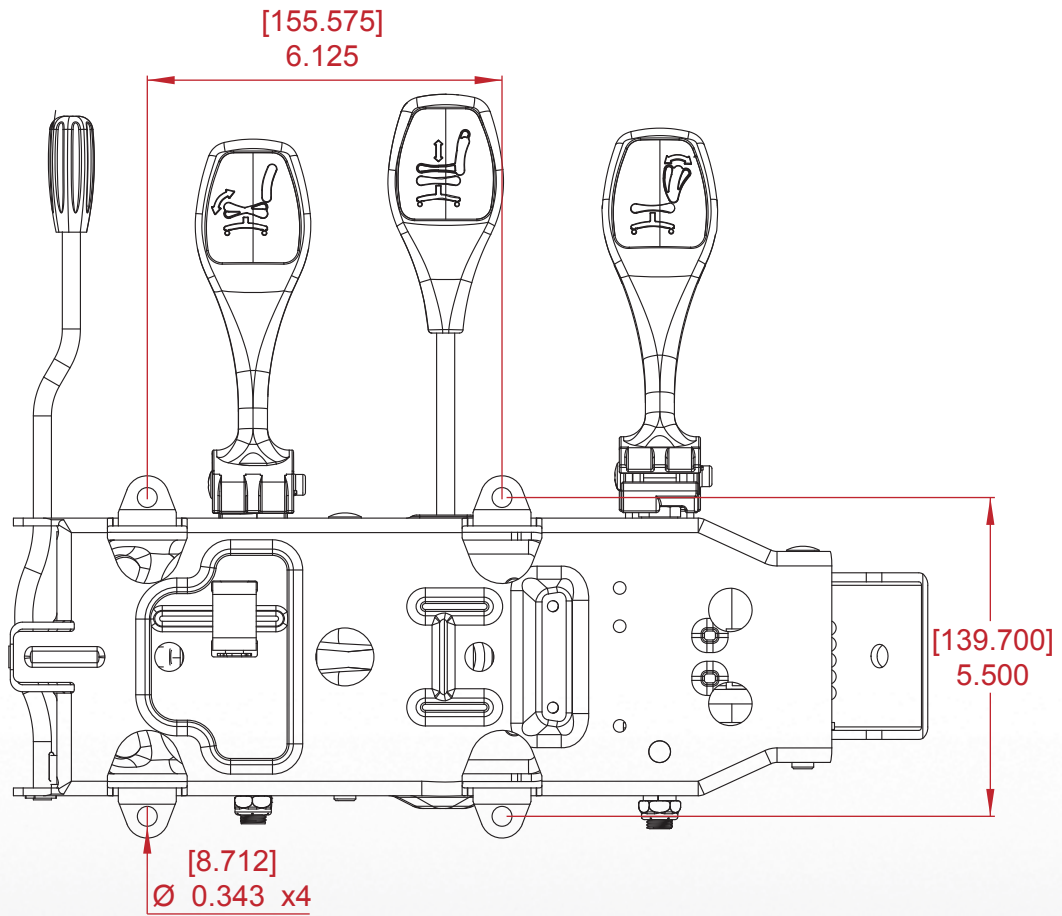
17-4E Extruded 17-4 Taper

**MECHANISM ANGLES**

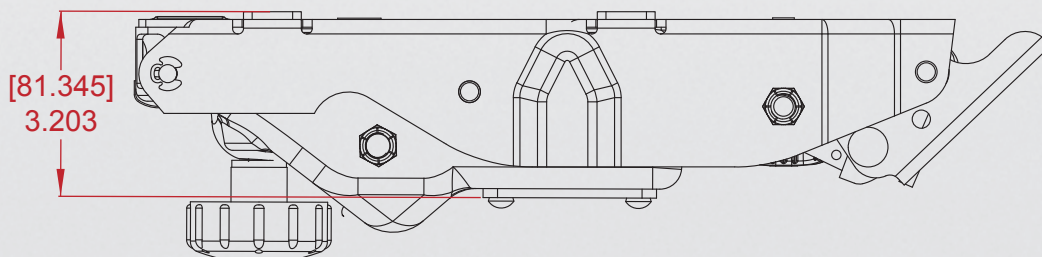
**Seat** – Forward Tilt 3.5° rearward  
– Rearward Tilt 20°

# Northfield T3001 Tilter Series

## Seat Plate Mounting View

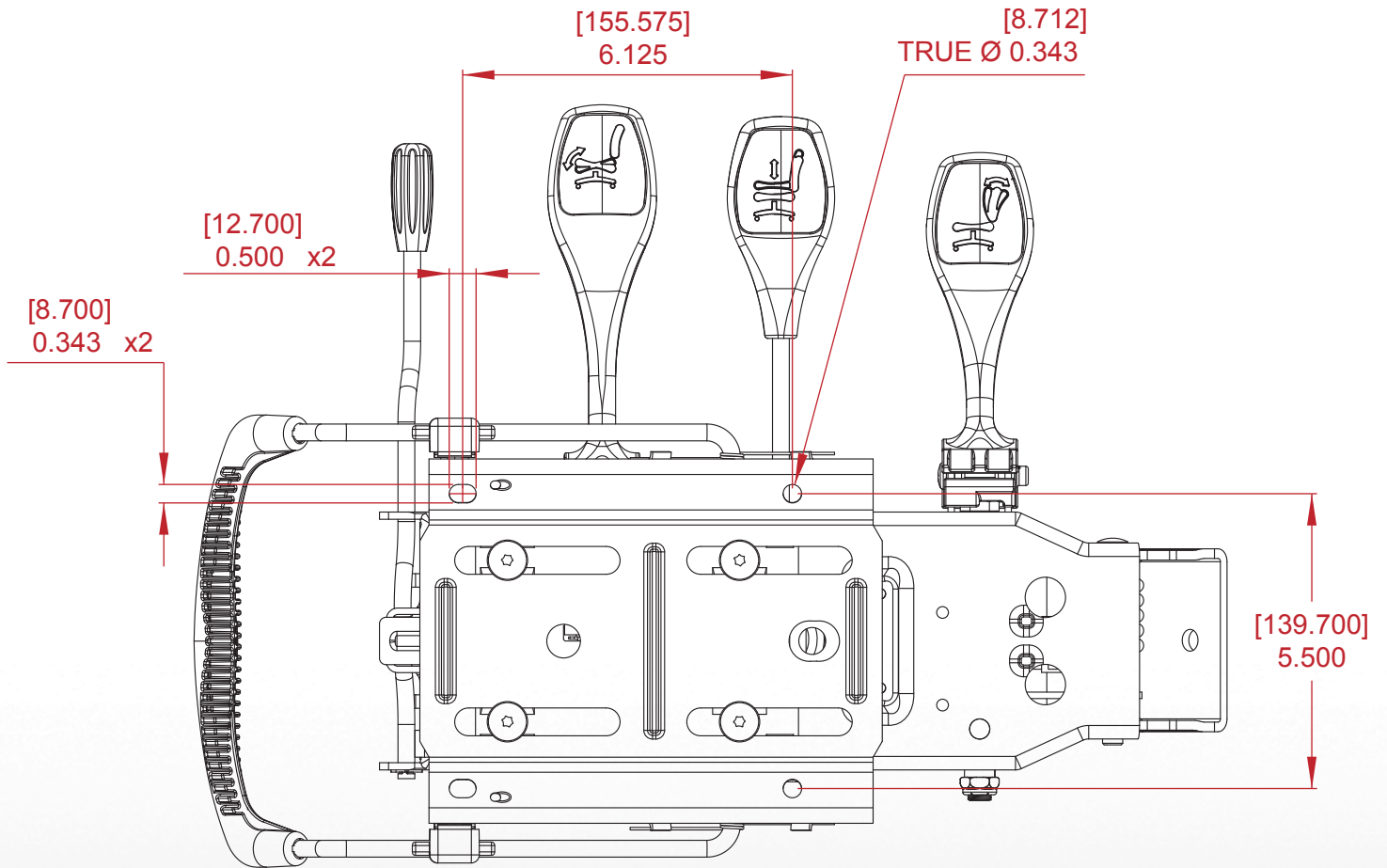


## Seat Plate Side Profile

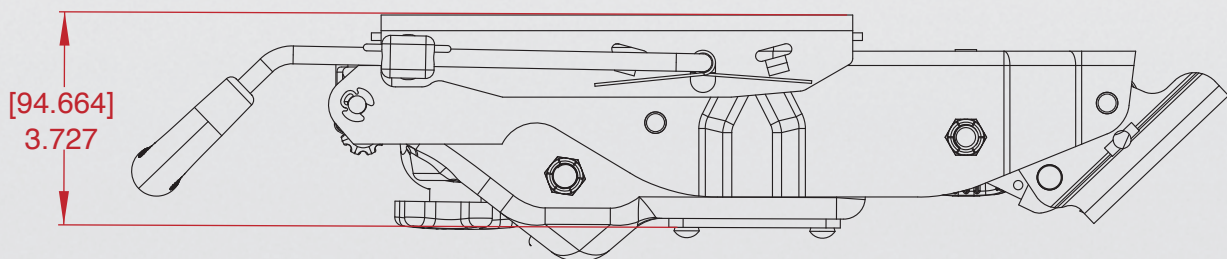


[Millimeters]  
Inches

## Integrated Seat Slider Mounting View



## Integrated Seat Slider Side Profile



[Millimeters]  
Inches



**NORTHFIELD METAL PRODUCTS**

A division of *Leggett & Platt* Ltd.

**Northfield Metal Products Ltd.**  
a division of Leggett & Platt Ltd.

195 Bathurst Drive  
Waterloo, ON N2J 3Z9 CANADA

☎ 519-884-1860  
☎ 1-866-362-9301 (Canada/USA)  
☎ 1-800-362-9301 (International)  
☎ 519-884-5476  
✉ [sales@northfieldmetal.on.ca](mailto:sales@northfieldmetal.on.ca)



Manufacturer certifies  
that this product meets  
or exceeds applicable  
ANSI/BIFMA standards.



© 2009 Northfield Metal Products Ltd. The shape of a Northfield Chair Control is a TRADE-MARK of Northfield Metal Products. The shape is your guarantee that you have purchased a genuine, high quality product made by Northfield. Northfield Metal Products Ltd. is a division of Leggett & Platt Ltd. Printed in Canada.