

Northfield T4001 Knee-Tilt Series

Created for task seating applications



NORTHFIELD METAL PRODUCTS

A division of *Leggett & Platt*, Ltd.

Northfield T4001 Knee-Tilt Series

T4001 Knee-Tilt Series



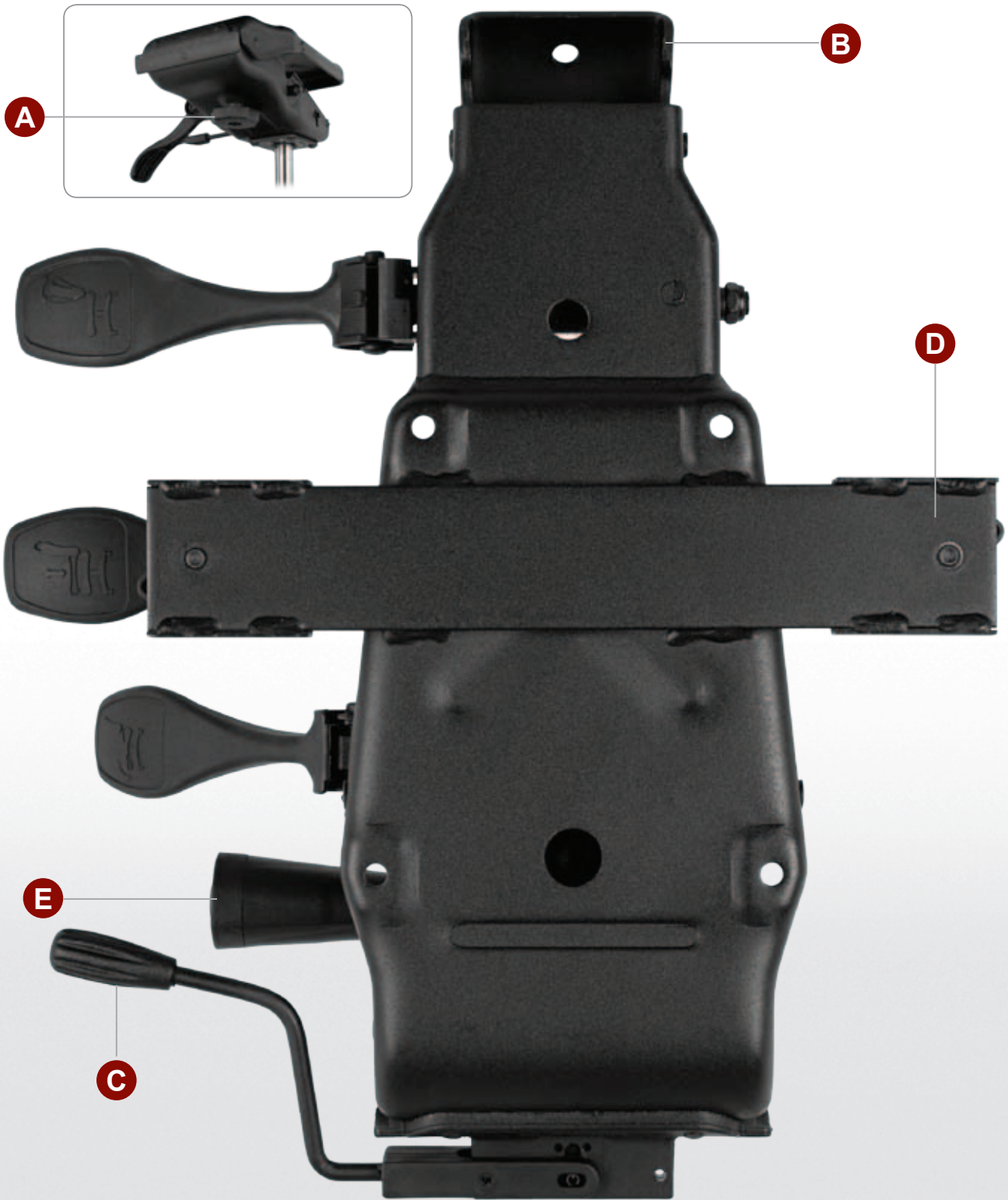
T4001FTSTLTA EB-3 BLK 174E

The T4001 Knee-Tilt mechanism was developed for general office, task, and executive seating.

This multi-lever mechanism is equipped with Infinite Tilt Lock for independent back adjustment and a Top Activation Lever for pneumatic height adjustment. The pivot point is found towards the front of the seat so that your feet remain on the floor when tilting rearward. A spring tension control knob or side tension adjustment lever can be adjusted to user body weight.

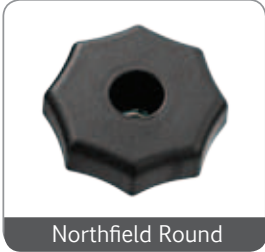
The T4001 series can also be outfitted with several back adjustment options to complete your chair requirements.





Northfield T4001 Knee-Tilt Series Options

A Handwheel Options



B Separate Back Options



C Cam Activated Seat Slider and 3pc Lever Options

* 3pc Lever Paddle Options



D Arm Bracket Options



ADJ2 Welded*†

* variable locations available by welding in different locations on the seat plate or integrated seat slider

† Customer is to specify arm bracket Length and Location for the ADJ2 Welded Arm Bracket.

E Side Tension Options



Crank Style



Round Handwheel



Tri-Lobe

F FTS Lever Options



S-Knob



Spoon

* FTS - Front Tilt Stop

The FTS lever is located in the front of the mechanism on the right side. To operate the FTS lever twist the lever forward or rear ward. If the lever is twisted forward the FTS block will slide forward allowing the seat of the chair to tilt approximately 6.75 degrees forward. If the FTS lever is twisted rearward the FTS block will slide towards the mechanism. This will restrict the front tilt of the seat approximately 3.5 degrees rear ward.

[Note: To operate the FTS option lean slightly rearward to make the adjustments. This will allow the FTS block to move freely.]

There are two styles of levers available, standard (bent) or straight.

Specifications

MECHANISM FEATURES

TA – Top Activated Seat Height

TL – Infinite Tilt Lock

HD – Heavy Duty Spring

ARM BRACKETS

ADJ2 – Adjustable Arm Brackets

AT2 – Fixed Arm Bars

FORWARD TILT OPTIONS

FT – Front Tilt Bumper 6° forward

FTS – Front Tilt Stop 6° forward
(The FTS option is operated with a separate lever located in the front of the mechanism)

GAS CYLINDER TAPERS

17-4E Extruded 17-4 Taper

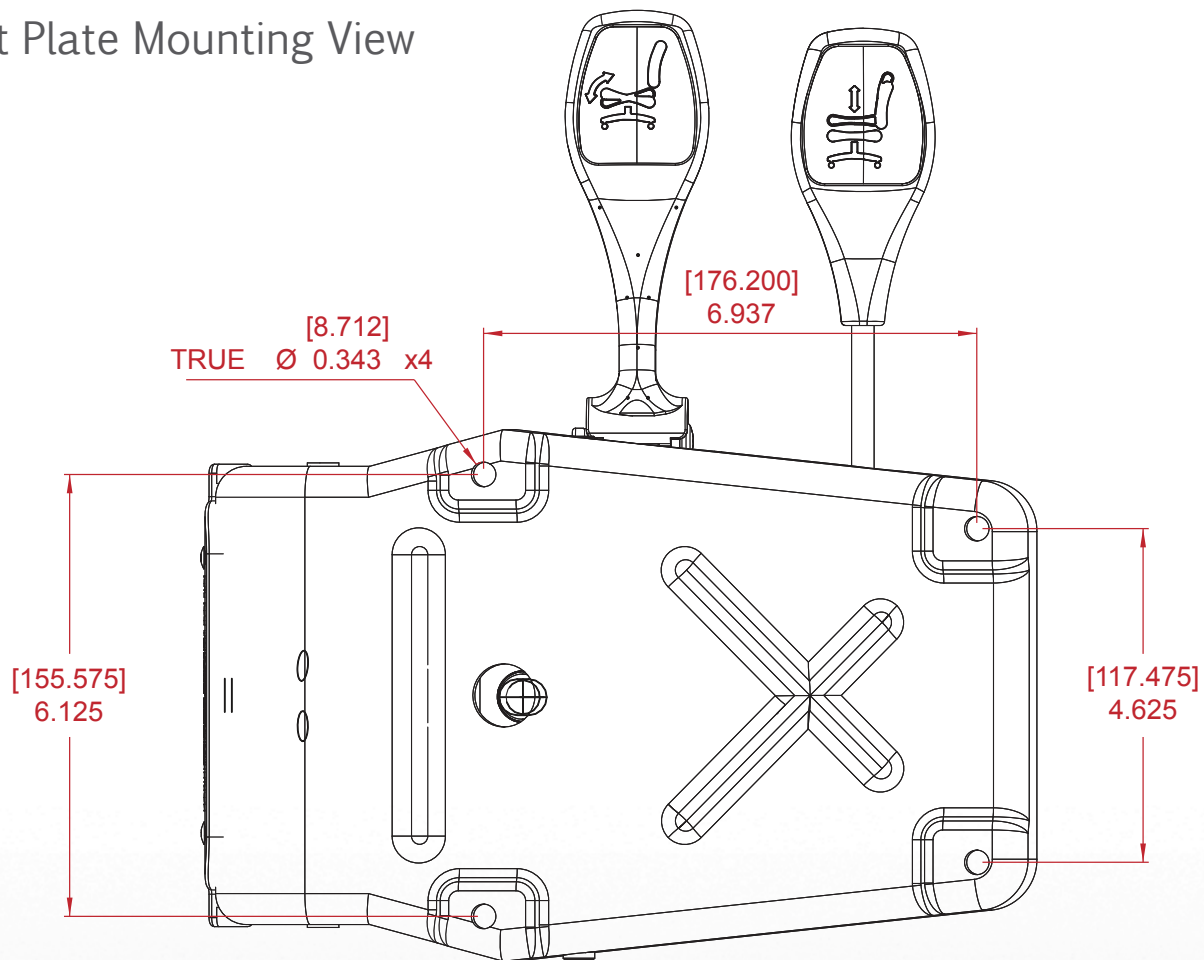
MECHANISM ANGLES

Seat – Forward Tilt 0°

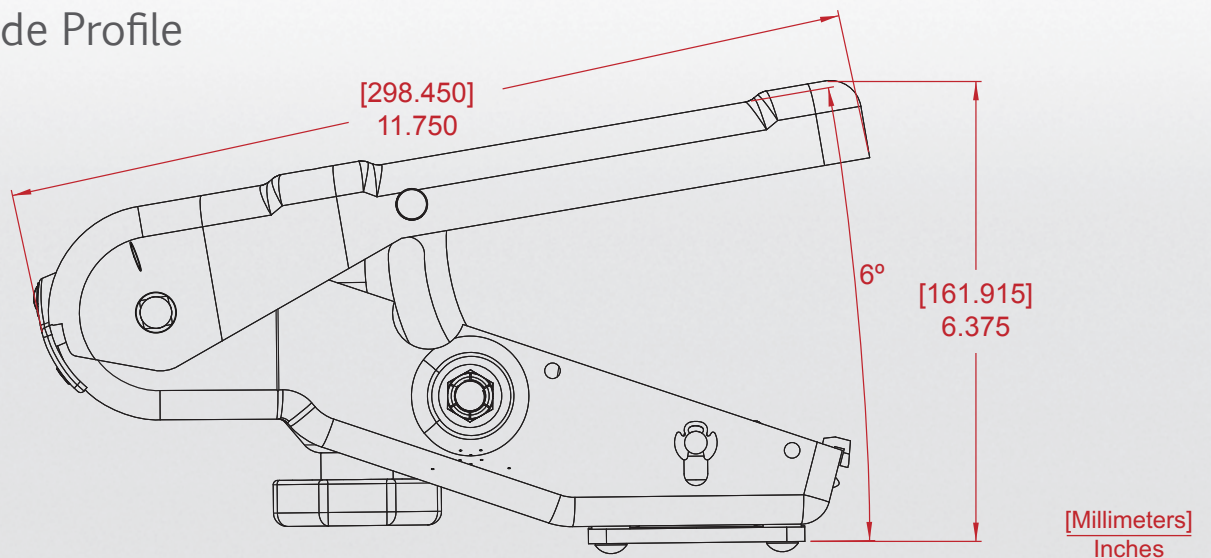
– Rearward Tilt 19°

Northfield T4001 Knee-Tilt Series

Seat Plate Mounting View



Seat Plate Side Profile



Notes:



NORTHFIELD METAL PRODUCTS

A division of *Leggett & Platt* Ltd.

Northfield Metal Products Ltd.
a division of Leggett & Platt Ltd.

195 Bathurst Drive
Waterloo, ON N2J 3Z9 CANADA

☎ 519-884-1860
☎ 1-866-362-9301 (Canada/USA)
☎ 1-800-362-9301 (International)
☎ 519-884-5476
✉ sales@northfieldmetal.on.ca



Manufacturer certifies
that this product meets
or exceeds applicable
ANSI/BIFMA standards.



© 2010 Northfield Metal Products Ltd. The shape of a Northfield Chair Control is a TRADE-MARK of Northfield Metal Products. The shape is your guarantee that you have purchased a genuine, high quality product made by Northfield. Northfield Metal Products Ltd. is a division of Leggett & Platt Ltd. Printed in Canada.