

Northfield T791 Tilter Series

An affordable, versatile series of chair controls designed to complete a full range of seating applications.



Progress through engineering and design

NORTHFIELD METAL PRODUCTS

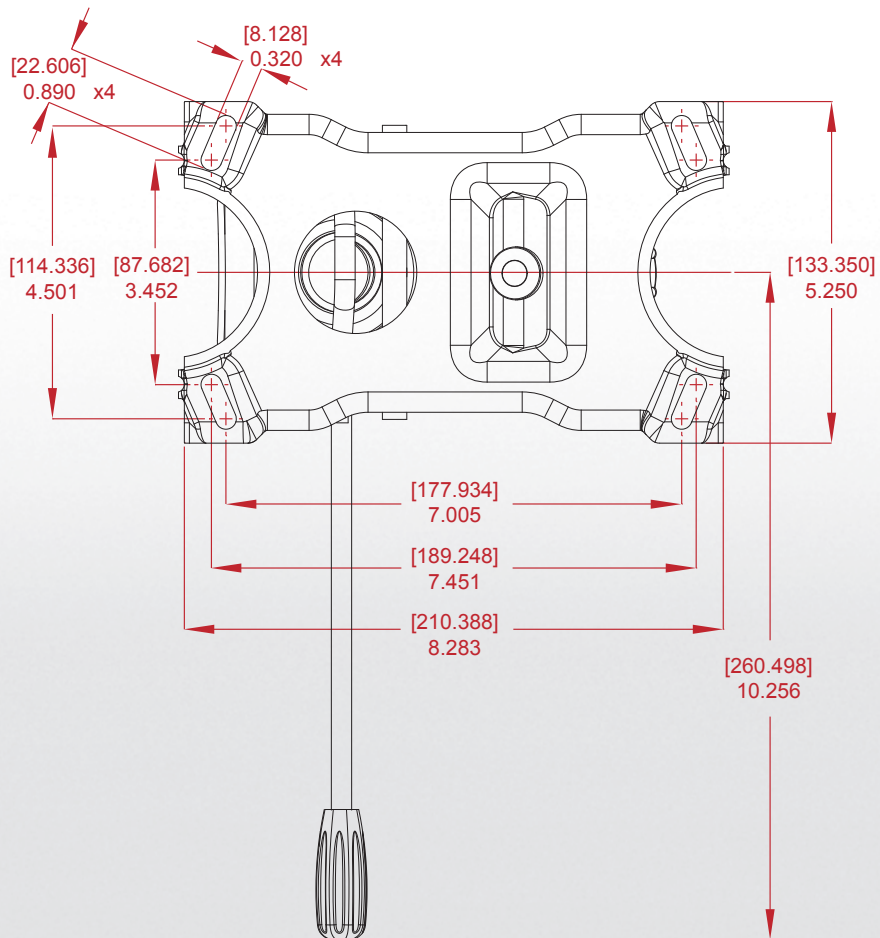
A DIVISION OF *Leggett & Platt*, CANADA CO.

Northfield T791 Tilter Series

T791



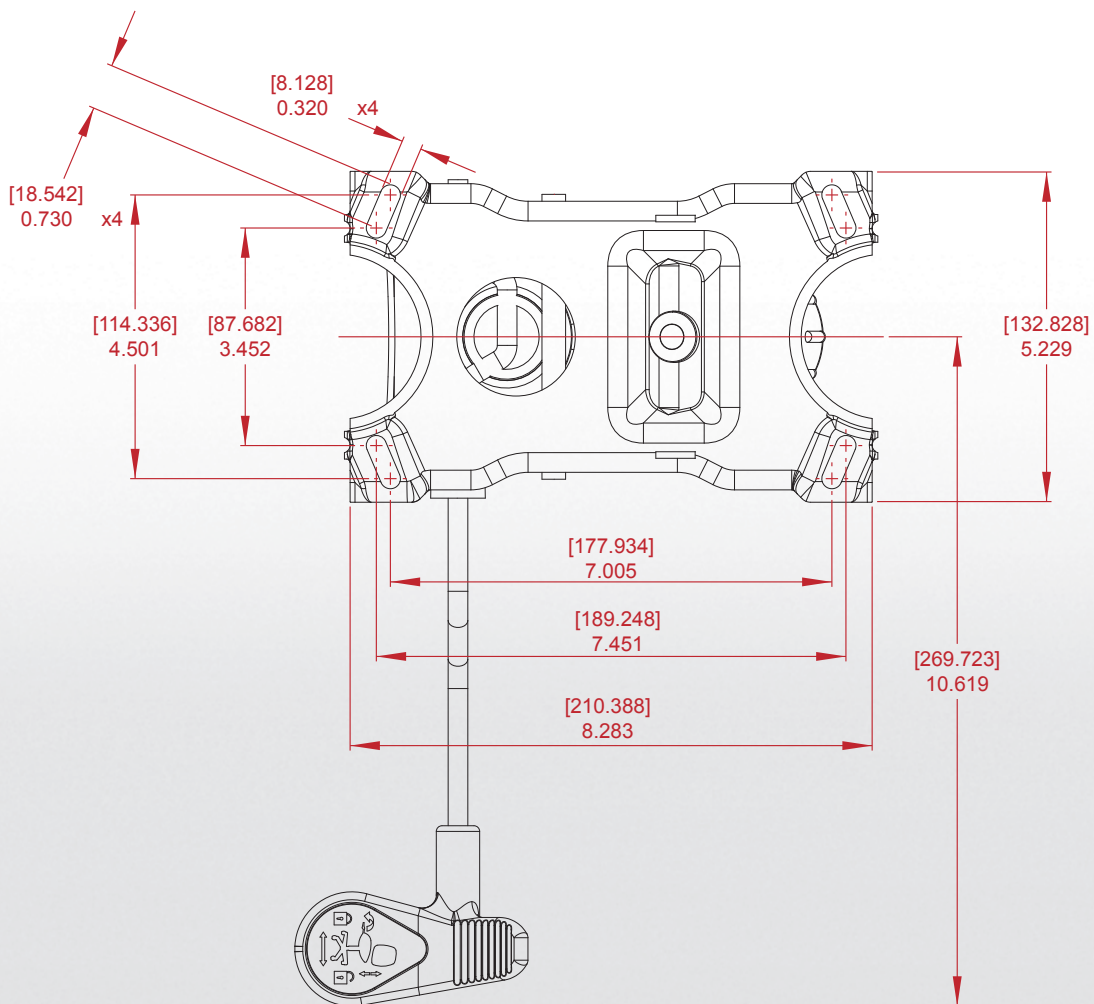
The T791 mechanism was designed for small to medium sized fixed back, single shell office seating. This mechanism can be equipped with a TA lever for pneumatic height adjustment, or a spindle, bell and washer for manual adjustment. The plunger style single position TL (Tilt Lock) Option can also be added to this mechanism.



The T791TA TL SL PP mechanism was designed for small to medium sized fixed back, single shell office seating. This mechanism comes equipped with a TA and TL option incorporated into one lever. The Tilt Lock is engaged by pushing the lever towards the seat when you are at the most forward seated position. Height adjustment can be made while the lever is in the locked or unlocked position.



T791TA TL SL PP

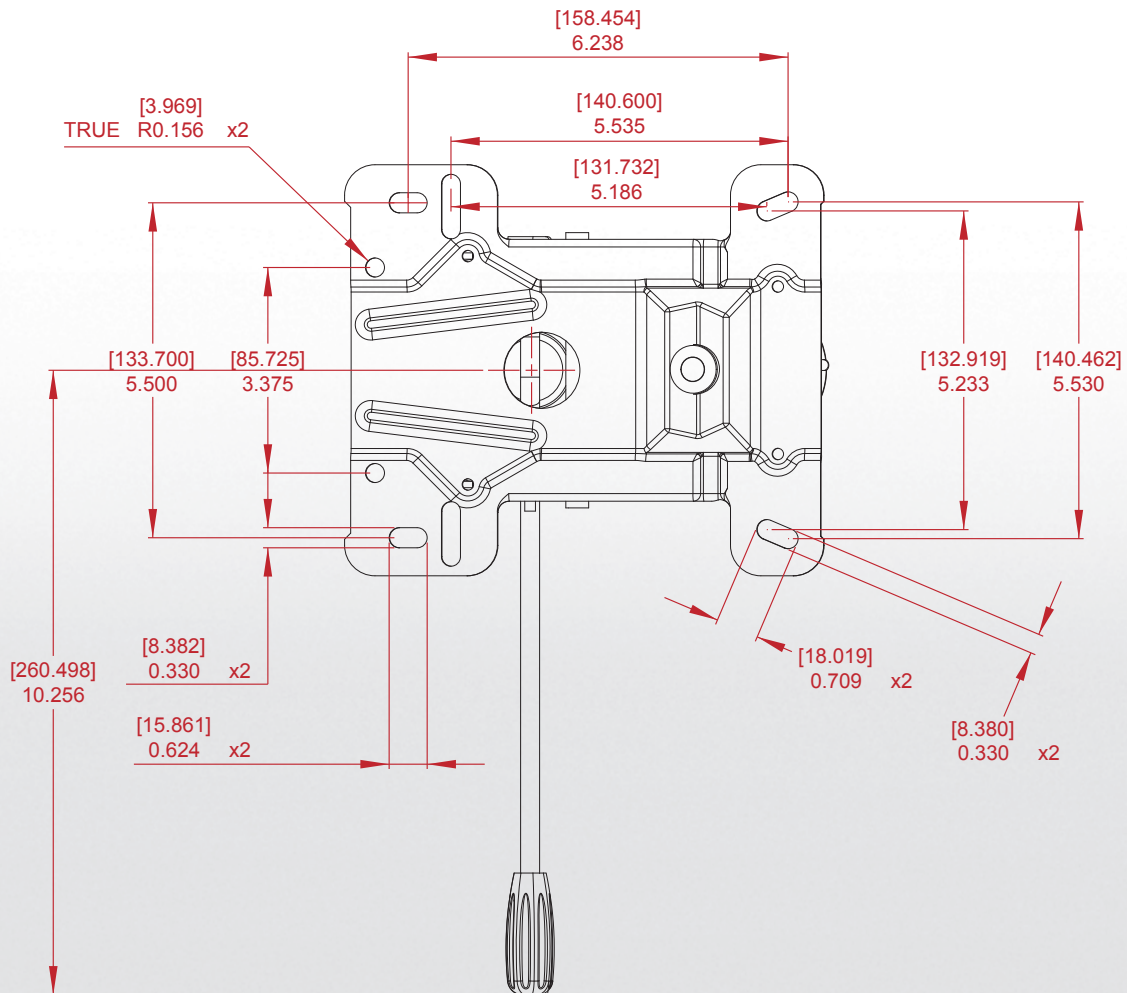


Northfield T791 Tilter Series

T791SV



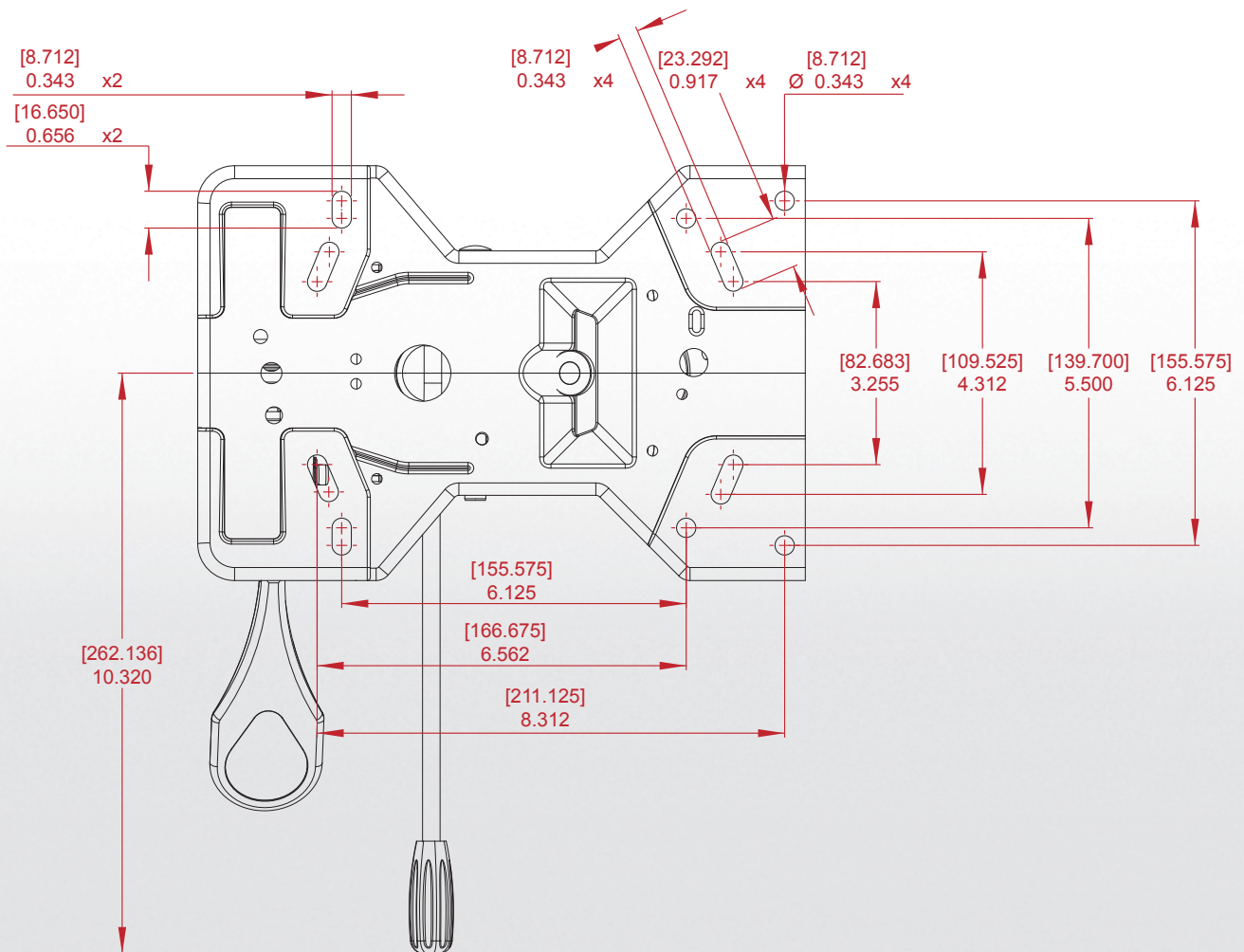
The T791SV mechanism was designed for small to medium sized fixed back, single shell office seating. The T791SV mechanism utilizes our T3001 hole pattern. This swivel tilt mechanism can be equipped with a TA Lever for pneumatic height adjustment or a spindle, bell, and washer for manual adjustment. A plunger style single position TL option can also be added the mechanism.



The T791D mechanism was designed for medium size chairs which has both the standard T791 hole pattern and our most popular T3001 hole pattern incorporated into the same seat plate. It can be equipped with Infinite Tilt Lock operated by one cam lever, and a TA lever for pneumatic height adjustment. A spindle, bell, and washer combination can be added for manual height adjustment.



T791D

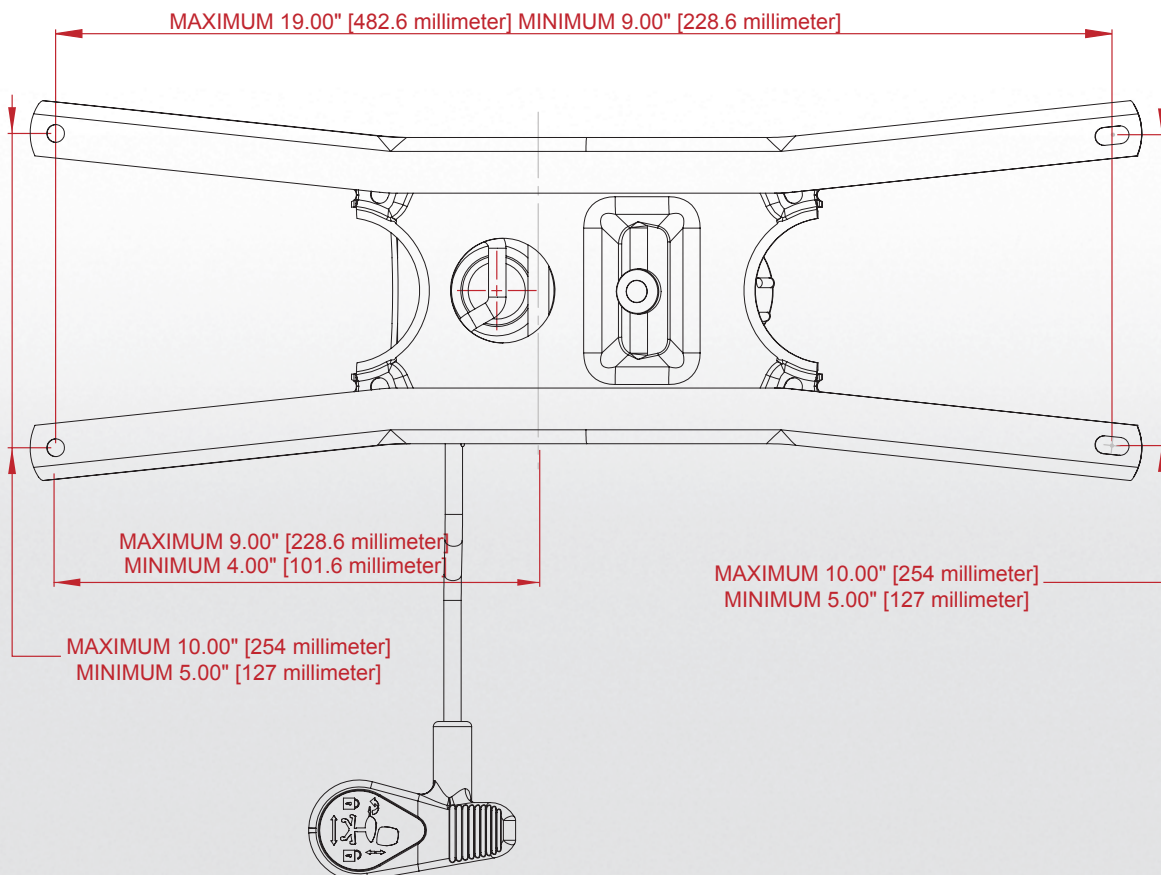


Northfield T791 Tilter Series

T793



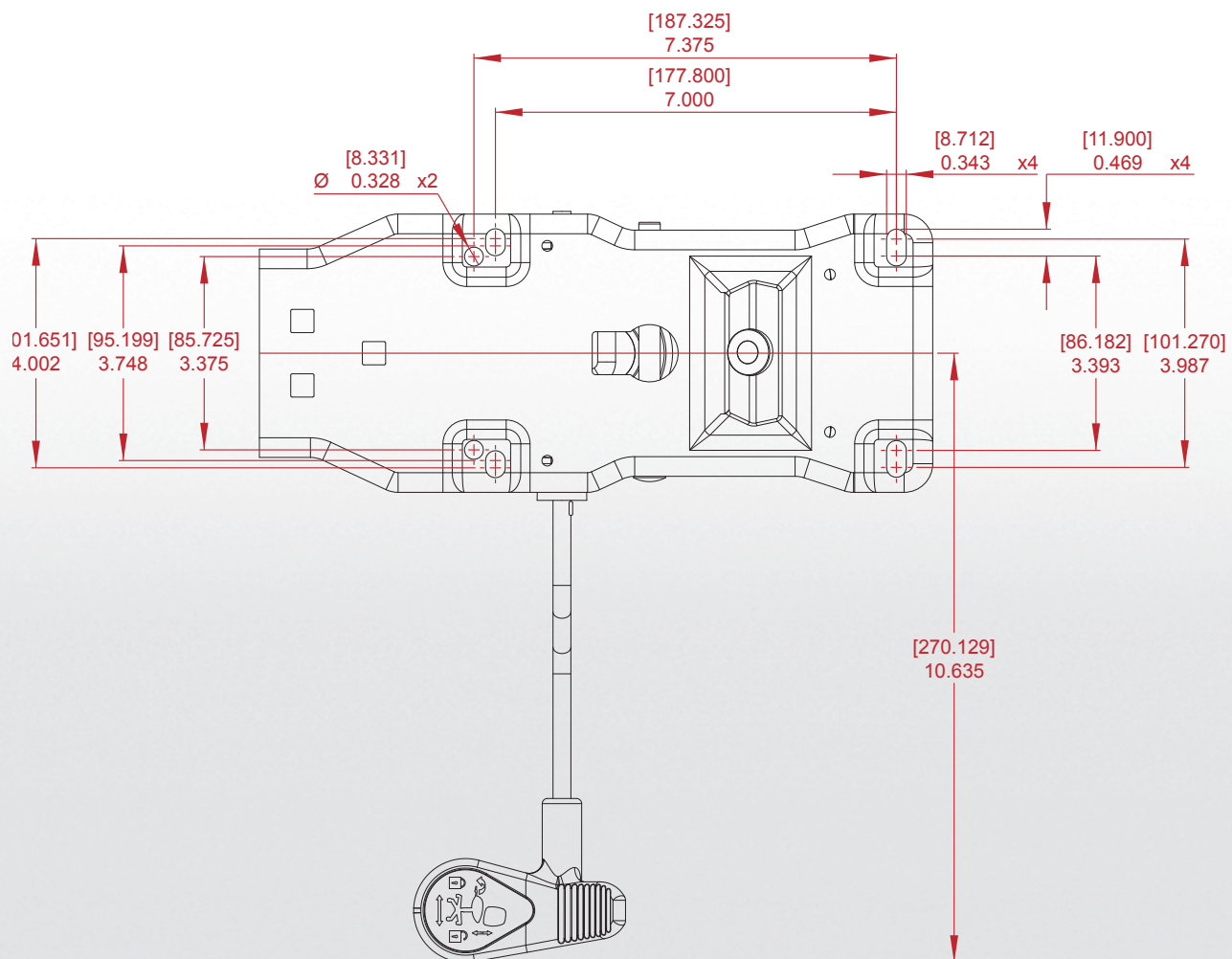
The T793 mechanism was designed for small to medium size chairs with large hole patterns. This mechanism has spider arms welded to the seat plate of the mechanism to cover a wide variety of hole patterns and balance points. It can be equipped with a TA lever for pneumatic height adjustment, or a spindle, ball, and washer for manual height adjustment. The single position tilt lock plunger style lever and the TA TL SL PP (Top Activated / Tilt Lock Single Lever Push Pull) option are also available.



The T791 mechanism was designed for small to medium size two piece office seating without separate back adjustment. This mechanism can be equipped with a TA lever for pneumatic height adjustment, or a spindle, bell and washer for manual adjustment. The TA TL SL PP (Top Activated / Tilt Lock Single Lever Push Pull) option is also available. The JBUF (J-Shaped Back Upright Fixed) back upright attachment will accept a 2.25 or 3.00 inch wide back upright and is used when depth adjustment is not required. The JBUM (J-Shaped Back Upright Manual) back upright attachment will accept a 2.25 or 3.00 inch wide back upright when depth adjustment of the back is required.



T791 TA TL SL P
JBUF & JBUM



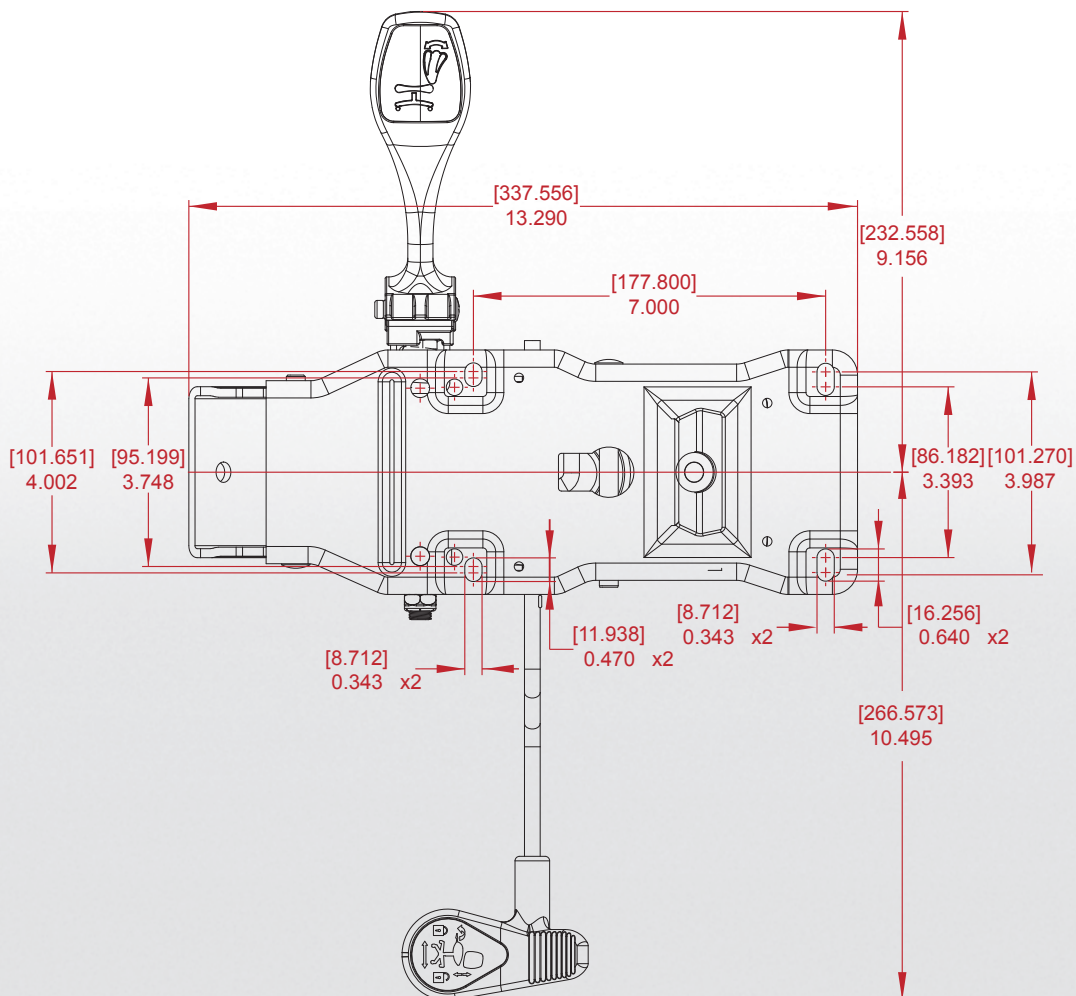
Northfield T791 Tilter Series

T791 TA TL SL PP WITH SEPARATE BACK ADJUSTMENT OPTIONS



The T791 Single Lever Push Pull mechanism was designed for small to medium size two piece office seating with separate back adjustment. This mechanism can be equipped with a TA lever for pneumatic height adjustment, or a spindle, bell and washer for manual adjustment. The TA TL SL PP (Top Activated / Tilt Lock Single Lever Push Pull) option is also available.

The T791 Single Lever Push Pull Separate Back mechanism can be outfitted with an Integrated Seat Slider providing a total of 2.5 inches travel with locking positions every 0.5 inch.



Separate Back Options for T791 TA TL SL PP



Spring Tension Handwheel Options



JBUM Handwheel Options





Progress through engineering and design

NORTHFIELD METAL PRODUCTS

A DIVISION OF *Leggett & Platt* CANADA CO.

Northfield Metal Products Ltd.
a division of Leggett & Platt Ltd.

195 Bathurst Drive
Waterloo, ON N2J 3Z9 CANADA

☎ 519-884-1860
☎ 1-866-362-9301 (Canada/USA)
☎ 1-800-362-9301 (International)
☎ 519-884-5476
✉ sales@northfieldmetal.on.ca



Manufacturer certifies
that this product meets
or exceeds applicable
ANSI/BIFMA standards.



© 2011 Northfield Metal Products Ltd. The shape of a Northfield Chair Control is a TRADE-MARK of Northfield Metal Products. The shape is your guarantee that you have purchased a genuine, high quality product made by Northfield. Northfield Metal Products Ltd. is a division of Leggett & Platt Ltd. Printed in Canada.