

T3001 24/7 Intensive Use

Created for 24/7 work applications

There are situations when a regular office chair just won't work for your particular application. Perhaps you have a work center that is open 24 hours a day, 7 days a week, and need a chair that will stand up to that intensive level of use.

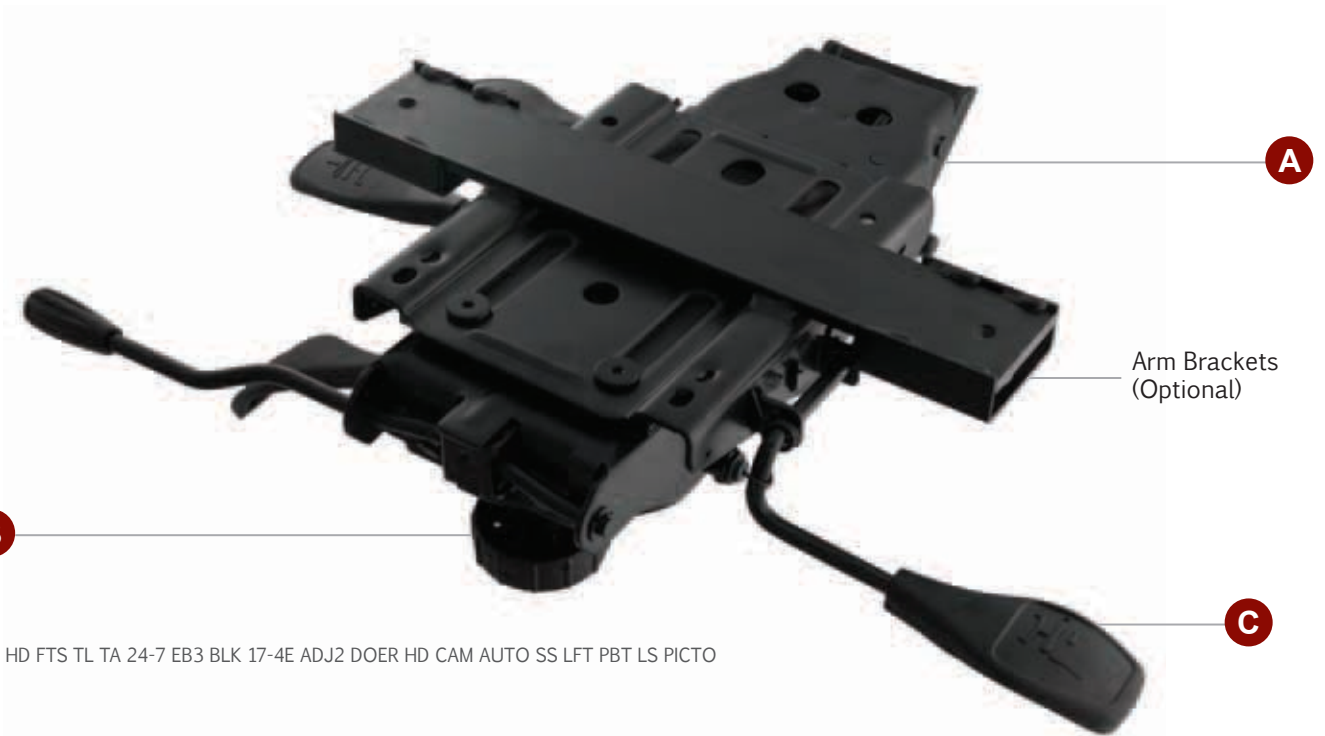
The T3001 Intensive Use Tilter from Northfield was developed for task-intensive environments where heavy duty 24-hour multiple shift use exists.

The T3001 Intensive Use Tilter suits task applications for dispatch, 911 emergency, communications centers, control rooms, police departments, security applications and hospitals.

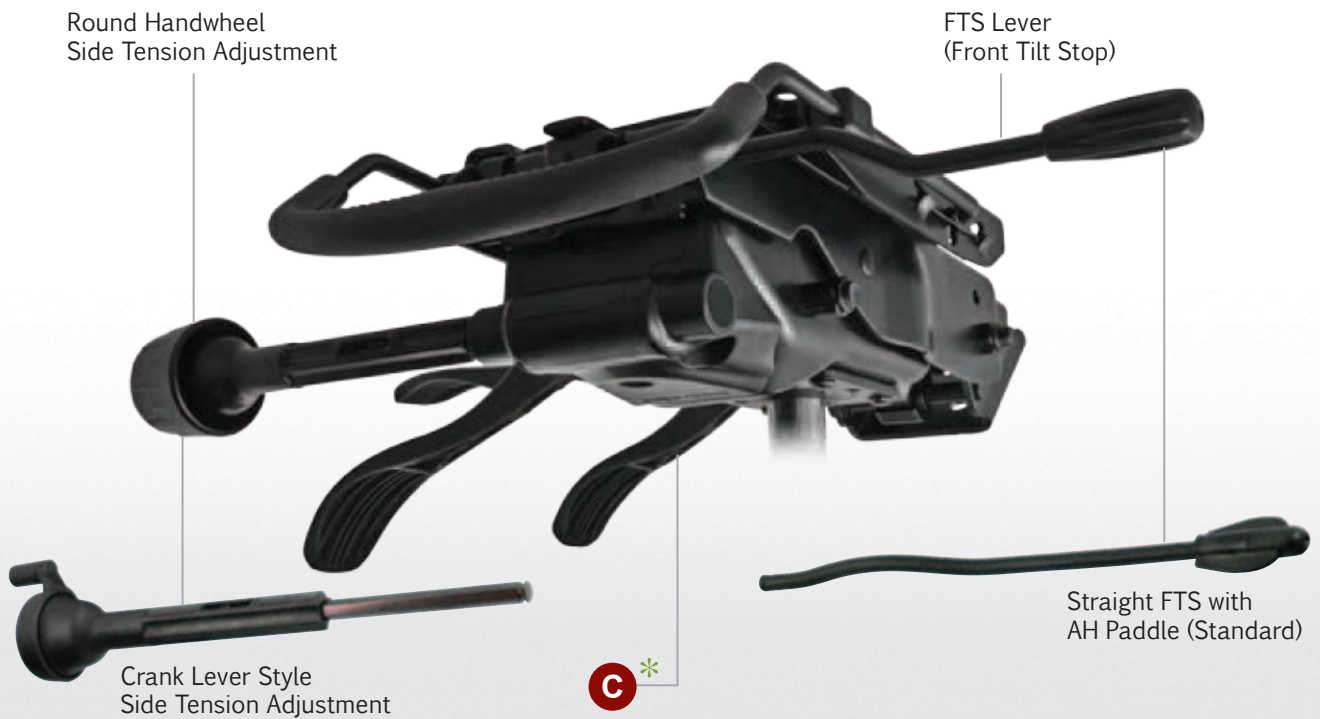


T3001 HD FTS TL TA 24-7 EB3 FF BLK 17-4E LS PICTO

T3001 24/7 Intensive Use



T3001 HD FTS TL TA 24-7 EB3 BLK 17-4E ADJ2 DOER HD CAM AUTO SS LFT PBT LS PICTO



T3001 HD FTS TL TA 24-7 EB3 FF BLK 17-4E W/ SIDE TENSION ADJ. W/ AUTO SS FTS LFT LS PICTO

A Separate Back Adjustment Options



3.00" Euro Back



3.00" Task



18JBUM 3.00"



18M



1875 (Oval)



JBUM 3.00"

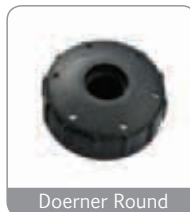
B Handwheel Options



5 Star (Standard)



Northfield Round



Doerner Round



Free Float



PSR Handwheel

C Cam Activated Seat Slider and 3pc Lever Options



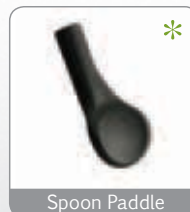
BT Paddle



Pictogram Paddle



UK Paddle



Spoon Paddle



EG Paddle



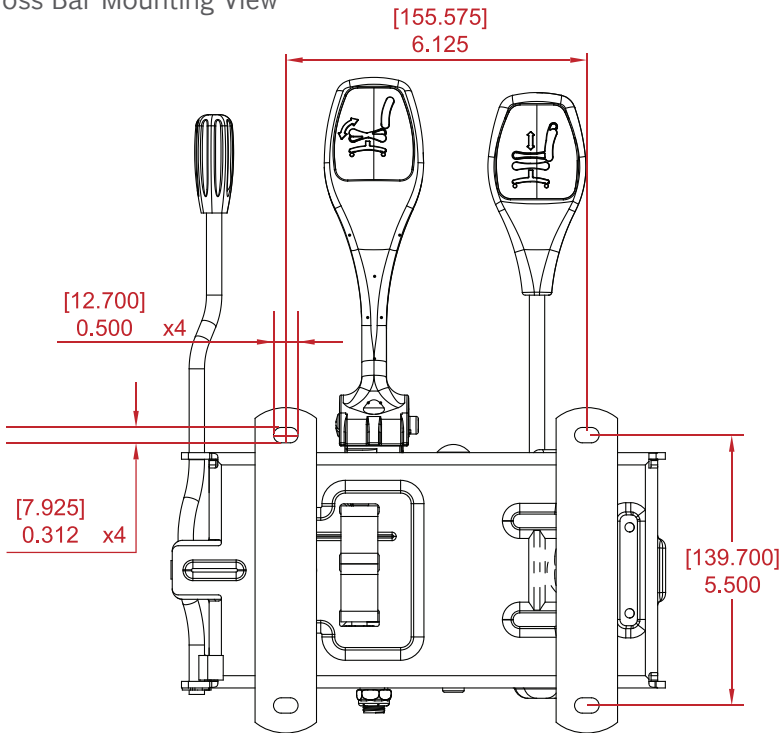
SG Paddle



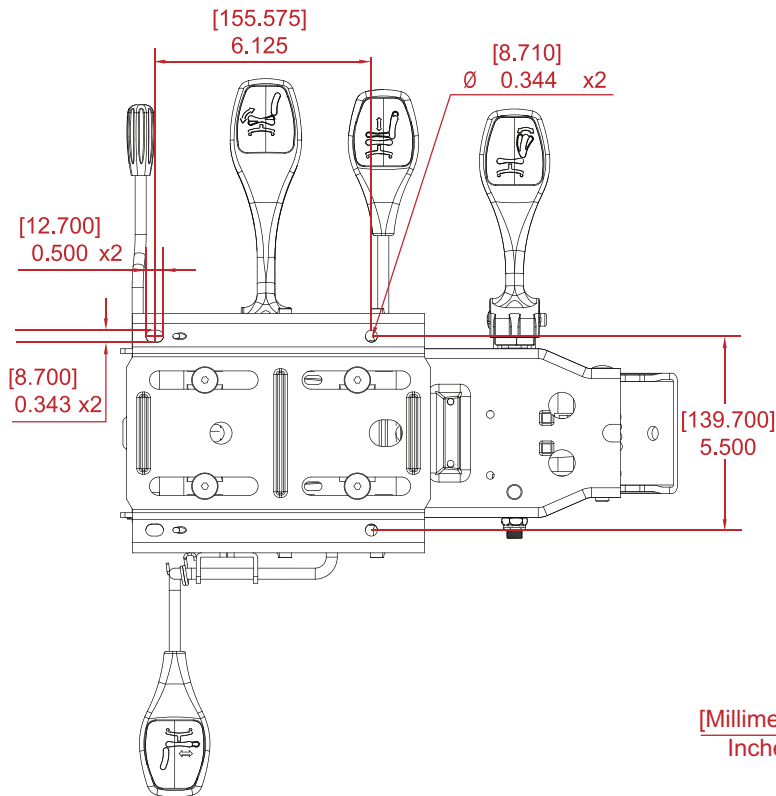
S-Knob

* 3pc Lever Paddle Options

Cross Bar Mounting View



Integrated Seat Slider Mounting View



[Millimeters]
Inches

Specifications

Mechanism Options:

TA – Top Activation
 TL – Infinite Tilt Lock
 HD – Heavy Duty Spring
 Auto Seat Slider – Integrated Automotive Style and Cam Activated Seat Sliders (2.50" of travel seat slider factory installed)

Bumpers:

Standard Bumper – The standard bumper does not allow forward tilt. The mechanism stops 3 ½ degrees rearward.
 FT – Front Tilt Bumper: used when 6 ¾ degrees is required without using an extra lever.
 FTS – Front Tilt Stop
 Tall Rear Bumpers – These bumpers are used to reduce the seat travel by 10°, 12°, or 17°.

Gas Cylinder Tapers:

17-4E Extruded 17-4 Taper

Arm Brackets:

ADJ2 – Adjustable Arm Brackets
 AT2 – Fixed Arm Bars

Mechanism Angles:

Seat – Forward Tilt 3.5° rearward
 – Rearward tilt 20°

Northfield Metal Products Ltd.

195 Bathurst Drive
 Waterloo, ON N2J 3Z9 CANADA
 ☎ 519-884-1860
 ☎ 1-866-362-9301 (Canada/USA)
 ☎ 1-800-362-9301 (International)
 ☎ 519-884-5476
 ✉ sales@northfieldmetal.on.ca



© 2008 Northfield Metal Products Ltd. The shape of a Northfield Chair Control is a TRADE-MARK of Northfield Metal Products. The shape is your guarantee that you have purchased a genuine, high quality product made by Northfield. Northfield Metal Products Ltd. is a division of Leggett & Platt Ltd. Printed in Canada.



Manufacturer certifies that this product meets or exceeds applicable ANSI/BIFMA standards.

